

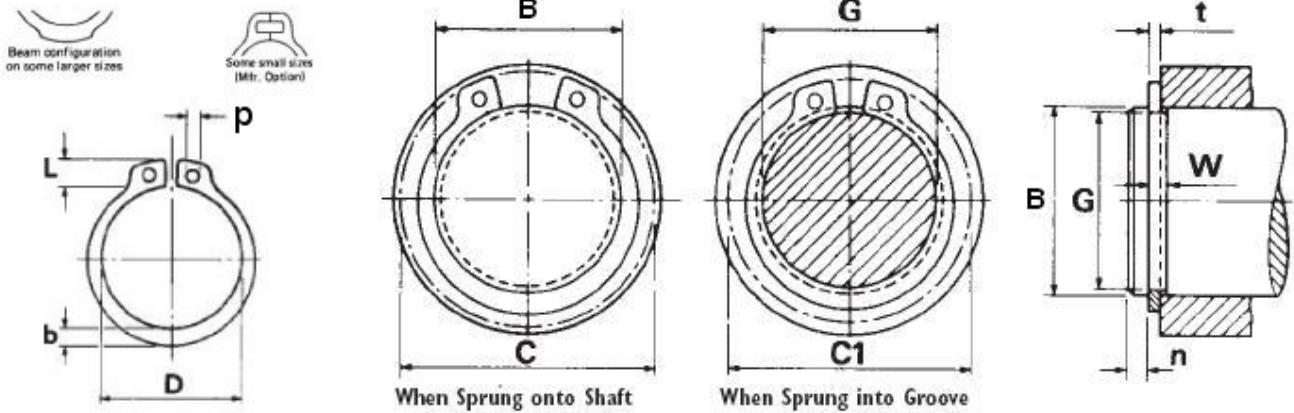


www.americanringmfg.com

MS16624-2066 Retaining Ring Spec Sheet



Part Number: MS16624-2066
MS16624 - Basic External Retaining Rings



Ring Specs

(D) Free Diameter:	0.621 +0.005 / -0.010 in.
(t) Thickness:	0.035 +0.002 / -0.002 in.
(b) Radial Wall:	

Groove Specs:

(B) Application Diameter:	0.669	in.
(G) Groove Diameter:	0.629 +0.003 / -0.003	in.
(W) Groove Width:	0.039 +0.003 / -0.000	in.
Groove Depth:	0.020	in.

Other Specs

Approximate Weight per 1000:	1.400	lbs.
(C1) Clearance Diameter & Gauging Diameter Seated in Groove	0.890	in.
(C1) Clearance Diameter & Gauging Diameter Seated in Groove	0.890	in.

(C) Clearance Diameter Expanded Over Shaft	0.930	in.
(C) Clearance Diameter Expanded Over Shaft	0.930	in.