

MODEL P60PS ANTI-ICING CART

Assembly & Operation Instructions

Technical Specifications



- Deicing cart mobility provided by ATV, tractor, etc.
- Heavy duty channel steel frame.
- 12 volt system attaches to tow's battery by 8' cord/clips.
- 12 volt, 7 amp diaphragm type pump
- Factory set pressure demand switch: 50 – 60 psi
- Pressure gauge (0 – 100 PSI)
- 60-gal. polyethylene tank
- 25' of 3/8" high pressure (300PSI) hose
- GunJet handgun with extension
- Semi-fan pattern nozzle for anti-icing fluids
- 15/600 x 6 main wheel tires
- The Model P60PS is warranted against defects in materials and workmanship for a period of one year from shipment. Please contact us for warranty remedy.

Assembly of Anti-Icing Cart

The Model P60S anti-icing carts are factory assembled, except it is necessary to thread the pressure gauge in place and to hook up the wiring to an existing 12 volt power source or the optional Self Containment Kit. If necessary follow the below instructions to assemble the frame kit and wheels. Refer to the enclosed parts list.

- Attach the axle to the bottom of the frame with (4) 3/8"x1" flange lock screws and (4) 3/8" flange locknuts.
- Bolt the tongue to the front of the skid with (8) 3/8"x1" flange lock screws and (8) 3/8" flange locknuts.
- Slide the wheels, with the valve stem outward, onto the axle and use the (2) cotter pins to secure the wheels in place.

Prior to Use

The pumping system draws solution from the tank, through the strainer, and to the pump. The pump forces the solution under pressure to the handgun. It is important to test the sprayer with plain water before attempting actual spraying. This will enable you to check the sprayer for leaks in the plumbing system.

Parts Lists

Diagrams showing the respective subassemblies are enclosed. Please refer to the diagrams when ordering replacement parts. Replacement parts for the Model P60PS are available from Aircraft Deicing, Inc.

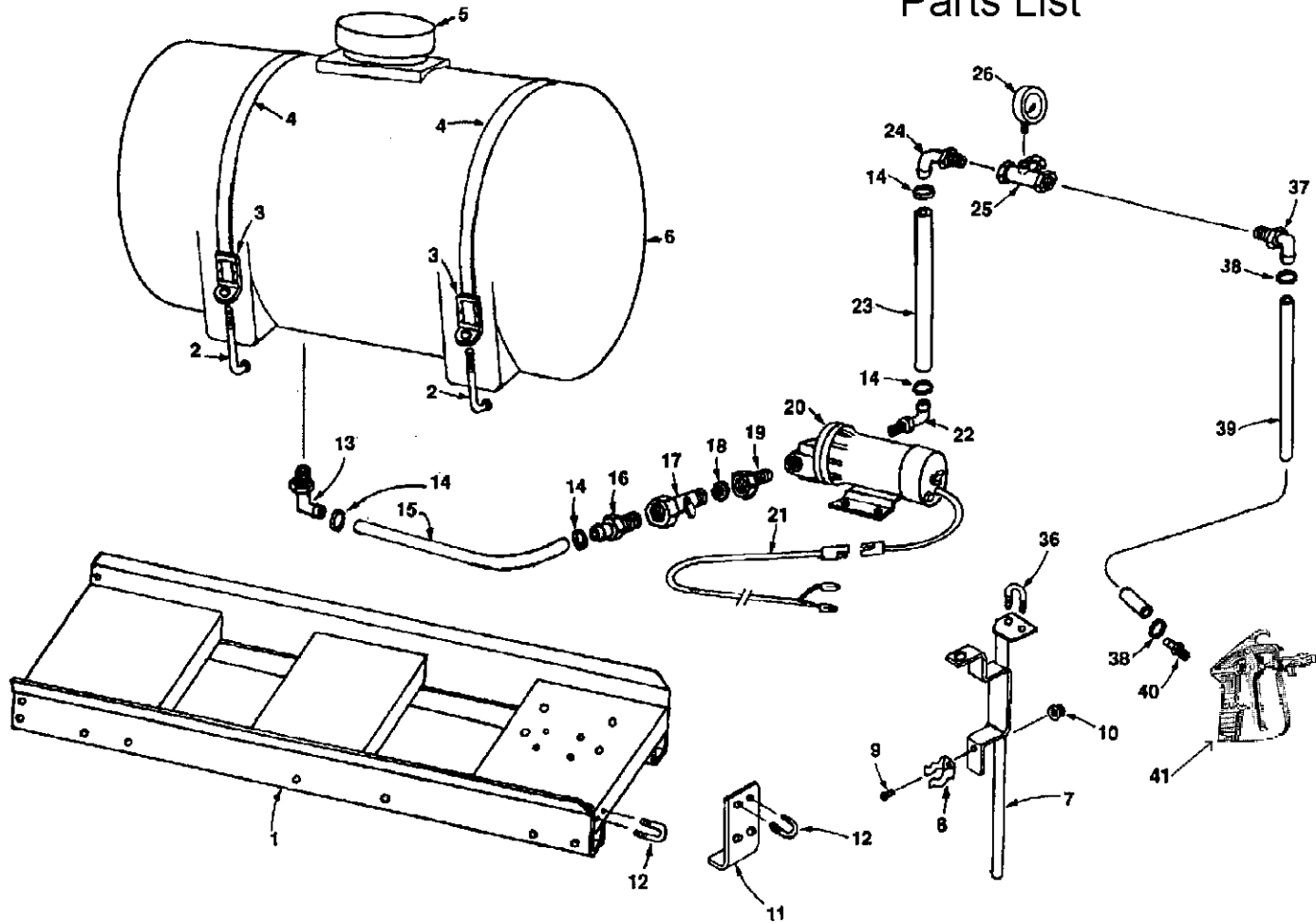
Operation of the Cart

To operate the Model P60PS:

- If the unit is equipped with the on-board self containment kit, fill & charge the on-board battery per the enclosed instructions, or
- Connect the power wires from the unit's pump to the tow's battery, or other source of 12 volt DC power; red wire to the positive battery terminal, brown wire to the negative.
- Place anti-icing fluid in the cart's tank.
- Place the pump switch in the "on" position.
- Squeeze the handgun lever to begin spraying; release to stop spraying.
- Turn the pump switch "off" after ops.

This cart is designed for aircraft ground anti-icing operations using SAE Type II or IV anti-icing fluids, and is equipped with a pressure demand switch. This switch is factory-set to automatically start the pump when fluid pressure falls below 50 psi, and to stop it at 60 psi. This will provide a fluid flow of approximately 1 gallon per minute.

Aircraft Deicing Systems, Inc. Model P55PS Parts List

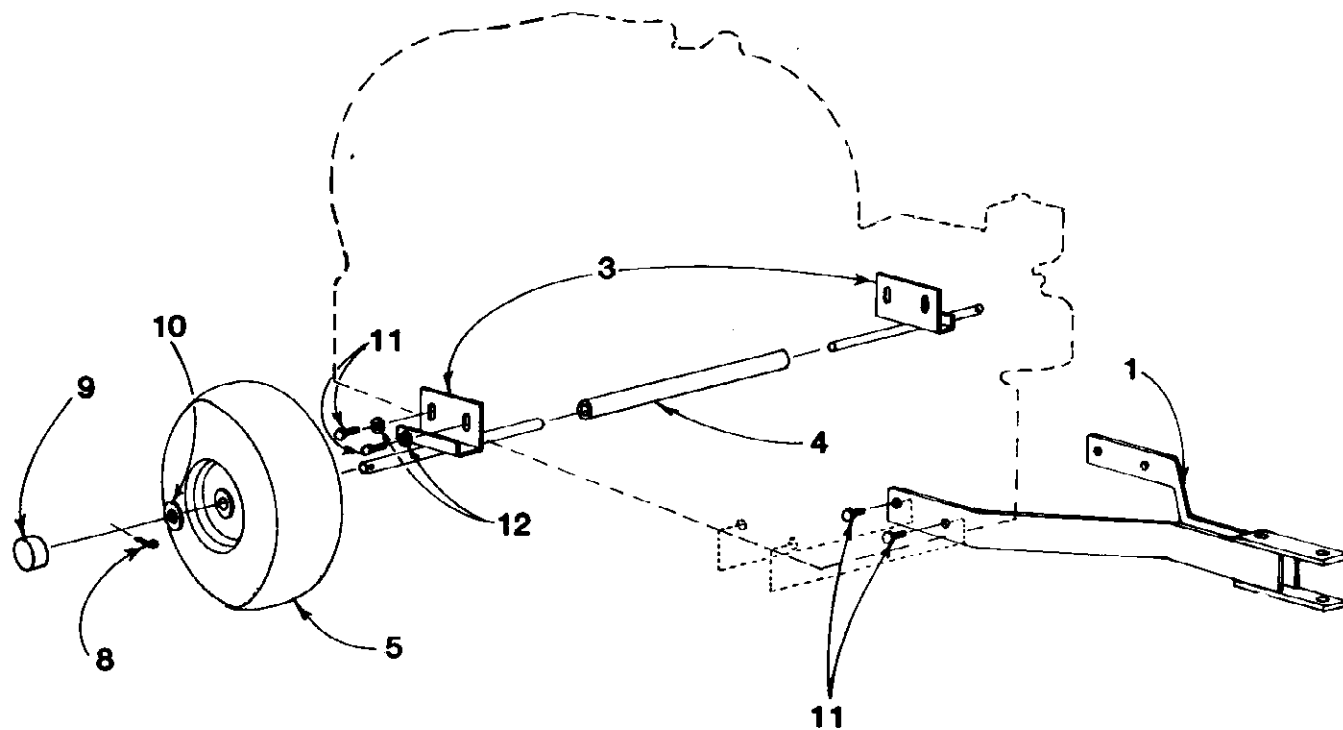


Note: Parts List may vary, dependent upon specific model

REF.	PART NO	QTY	DESCRIPTION
1	5273362	1	Skid
2	5034298	4	"L" Head Bolt, 3/8"
3	5108041	4	Bent Buckle
4	5133100	2	Strap, 60"
5	5058090	1	Lid
6	5169112	1	Leg Tank, 55 Gallon
7	5273299	1	Valve and Handgun Bracket
8	5053083	1	Handgun Clip, Large
9	5117234	1	Truss Head Screw, #10 - 24 x 1/2"
10	5006186	1	Whiz Lock Nut, #10 - 24
11	5038400	1	Valve Stand Bracket
12	5034197	2	U-Bolt, 1/4"
13	5010036	2	Nylon Ell Hose Barb, 3/4" MNPT x 1/2"
14	5051022	6	Hose Clamp, 1/2" (5208)
15	5020362	1	Hose, 1/2" - 1 Brd. x 32"
16	5067026	1	Nylon Hose Barb, 3/4" MGHT x 1/2"
17	5143188	1	Valve
18	5116242	1	Screen Washer
19	5005186	1	Nylon Swivel Fitting, 3/8" MNPT x 3/4" FGHT
20		1	Pump, 12 Volt Pump (#8000-543-236)
21	5273022	1	Battery Wire Assembly, 96"
22	5010043	1	Nylon Ell Hose Barb, 3/8" MNPT x 1/2"
23	5020308	1	Hose, 1/2" - 1 Brd. x 25"
24	5010039	1	Nylon Ell Hose, 1/2" MNPT x 1/2"
25	5010193	1	Nylon Gauge Tee, 1/2"
26	5167007	1	Pressure Gauge, 100#
27	5010148	1	Nylon St. Ell, 1/2"

REF	PART NO	QTY	DESCRIPTION
28	5005021	1	Nylon Adapter, 1/2" MNPT x 3/4" MGHT
29	5143335	1	Metal "Y" Valve
30	5016066	2	Hose Washer
31	5046121	1	Nylon Cover Cap, 3/4" FGHT
32	5149011	1	Nylon Swivel Barb, 1/2"
33	5006055	1	Nylon Swivel Nut, 3/4" FGHT
34	5020376	1	Hose, 1/2" - 1 Brd. x 45"
36	5034063	1	U-Bolt, 5/16"
37	5010038	1	Nylon Ell Hose Barb, 1/2" MNPT x 3/8"
38	5051021	2	Hose Clamp, 3/8" (5206)
39	5020135	1	Hose, 3/8" - 1 Brd. x 25 Ft.
40	5067005	1	Nylon Hose Fitting, 1/4" MNPT x 3/8"
41	5271814	1	Gunjet SS #AA23-H Handgun
	5034109	4	Hex Cap Screw, 1/4" x 3/4"
	5016114	4	Flat Washer, 1/4"
	5006160	4	Hex Lock Nut, 1/4"
	5016035	4	Lock Washer, 1/4"
	5006041	4	Hex Nut, 1/4"
	5016026	2	Lock Washer, 5/16"
	5006040	2	Hex Nut, 5/16"
	5016030	4	Flat Washer, 3/8"
	5016027	4	Lock Washer, 3/8"
	5006054	4	Hex Nut, 3/8"
	5034018	1	Hex Bolt, 1/2" x 1"
	5016028	1	Lock Washer, 1/2"
	5016031	1	Flat Washer, 1/2"
	5006011	1	Hex Nut, 1/2"

Aircraft Deicing Systems, Inc
 Trailer Model T-50
 Parts List



Ref.	Part No.	Qty.	Description
1	5272096	1	Tongue
3	5272091	2	Axle
4	5077028	1	Axle Guide
5	5021033	2	Wheel, 15/600 X 6 X 3/4"
8	5101086	2	Cotter Pin, 3/16" X 1-1/2"
9	5046110	2	Hub Cover, (SC 1-1/2")
10	5041094	2	Machinery Bushing, 1-1/4 O.D. X 3/4" I.D. X 14 Ga.
11	5034018	8	Hex Screw, 1/2" X 1"
12	5016031	4	Flat Washer, 1/2"
	5016145	8	Lock Washer, 1/2"
	5006011	8	Hex Nut, 1/2"