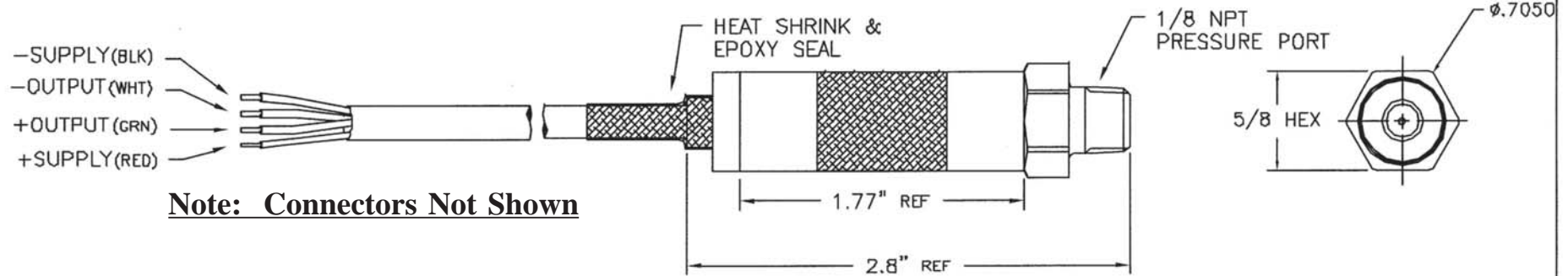


Model	Rated Pressure
PT-30GA	30
PT-100GA	100
PT-300GA	300
PT-3000S	3,000



#### TRANSDUCER SPECIFICATIONS:

1. Pressure range: See table above
2. Minimum resistance between transducer body & any wire: 50M Ohms @ 50 Vdc
3. Accuracy (combined linearity, hysteresis, & repeatability): 0.15% of FS BFSL
4. Pressure cycles: 1 Million full pressure cycles.
5. Pressure overload: 3x rated pressure.
6. Burst pressure: 4x rated pressure or 20,000 psig, whichever is less.
7. Long term stability (1 year):  $\pm 0.1\%$  of FS, typical.
8. Supply Voltage: 5-13 Vdc
9. 10mV/V constant voltage supply
10. Zero offset:  $\pm 1\%$  of FS.
11. Span tolerance:  $\pm 1\%$  of FS.
12. Operating temperature range:  $-40$  to  $105^{\circ}\text{C}$ .
13. Zero thermal error:  $< \pm 1.5\%$  of FS.
14. Span thermal error:  $< \pm 1.5\%$  of FS.
15. Output impedance: 4K to 25K Ohms for quoted performance.
16. Pressure port material: 316L Stainless
17. Sensor type: gauge pressure (PT-3000S = Sealed Pressure)

#### **Electronics International, Inc.**

63296 Powell Butte Highway, Bend OR 97701, USA  
Phone: (541) 318-6060, www.Buy-Ei.com

Date: 09/30/2010	Drawn By: MSS	Appvd By: RR
Scale: None		Rev: B: 09/30/2010
Tolerance:		P/N:
Material:		D/N:
Next Assem:		<b>07170301</b>
Title: <b>PT-XXX Pressure Transducer</b>		