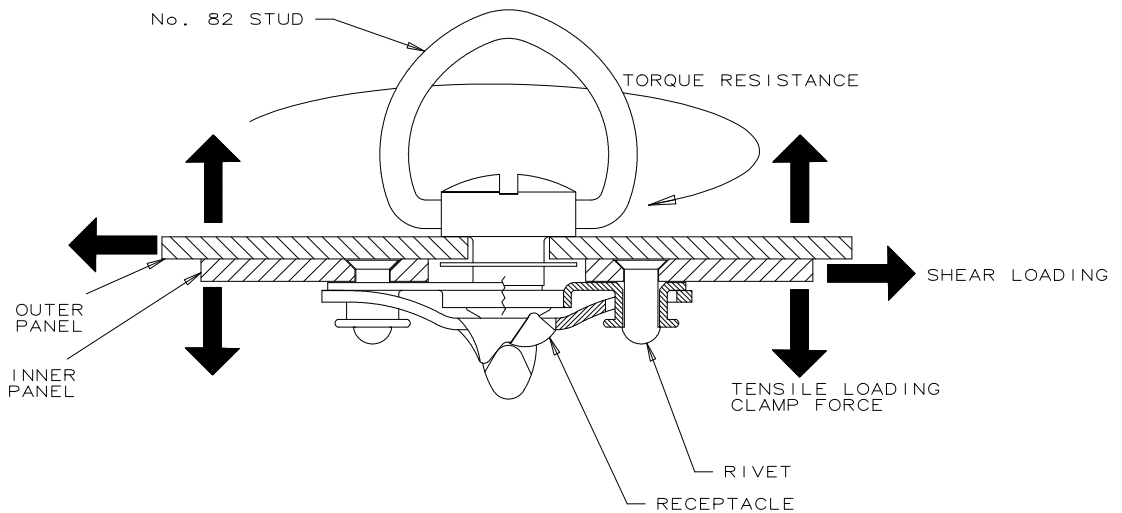


SOUTHCO PERFORMANCE GUIDELINES

THE PERFORMANCE GUIDELINES SHOWN ON THIS PAGE ARE SUPPLIED AS A GENERAL GUIDE ONLY, AS CONDITIONS VARY WITH EACH APPLICATION AND METHOD OF INSTALLATION. STRENGTH DATA GIVEN IS FOR FAILURE OF THE PRODUCT OR FOR SUFFICIENT DEFORMATION TO MAKE PRODUCT INOPERABLE. NO SAFETY FACTOR HAS BEEN APPLIED. IT IS RECOMMENDED THAT THE USER REQUEST A PRODUCT SAMPLE FOR TESTING TO DETERMINE THE SUITABILITY OF THE PRODUCT FOR THE PURPOSE INTENDED AND USER'S PARTICULAR APPLICATION.

ALL STRENGTH RATINGS ARE INDEPENDENT OF HEAD STYLE.



PART NUMBER	82-35-302-15
MAXIMUM RECOMENDED WORKING TENSILE STRENGTH ①	900 N (200 LBS)
AVERAGE ULTIMATE TENSILE STRENGTH ②	2220 N (500 LBS)
CLAMP FORCE ③	156 N (35 LBS)
MAXIMUM RECOMMENDED WORKING SHEAR STRENGTH ①	900 N (200 LBS)
AVERAGE ULTIMATE SHEAR STRENGTH ②	2670 N (600 LBS)
MAXIMUM TORQUE RESISTANCE ④	3.4 Nm (30 IN-LBS)
CYCLE LIFE ⑤	3000

- ① WORKING LOAD is the maximum force that the product will withstand without affecting the operation or appearance of the product.
- ② Average ULTIMATE LOAD causes failure of the product or sufficient deformation to make the product inoperable.
- ③ CLAMP FORCE is the force applied to the panel when the assembly is latched at the nominal grip.
- ④ MAXIMUM TORQUE RESISTANCE is the torque that causes the stud to override the receptacle stop.
- ⑤ CYCLE LIFE is the minimum number of complete cycles the receptacle can perform before failure.
NOTE 1 complete cycle = 1 cycle to open + 1 cycle to close

REF: 82-45, 82-48

southco®

PROPRIETARY ITEM - EXCEPT FOR USES EXPRESSLY GRANTED IN WRITING, INFORMATION DISCLOSED HEREON IS CONFIDENTIAL AND ALL RIGHTS, PATENT AND OTHERWISE ARE RESERVED BY SOUTHCO, INC.

NO. 82 LEAF SPRING RECEPTACLE FOR RIVETING - WITH BASE

DATE
03DEC93

DRAWN
ALC/ACZ

SCALE
NTS

DRAWING NUMBER
TD-82-6-J

REV
B

DATE
09APR2002

DESCRIPTION
UPDATE FORMAT

DRAWN/CHKD
GDM

DATE
03DEC93

DRAWN
ALC/ACZ

SCALE
NTS

DRAWING NUMBER
TD-82-6-J

SCALE
NTS

DRAWING NUMBER
TD-82-6-J

PAPER SIZE
A

