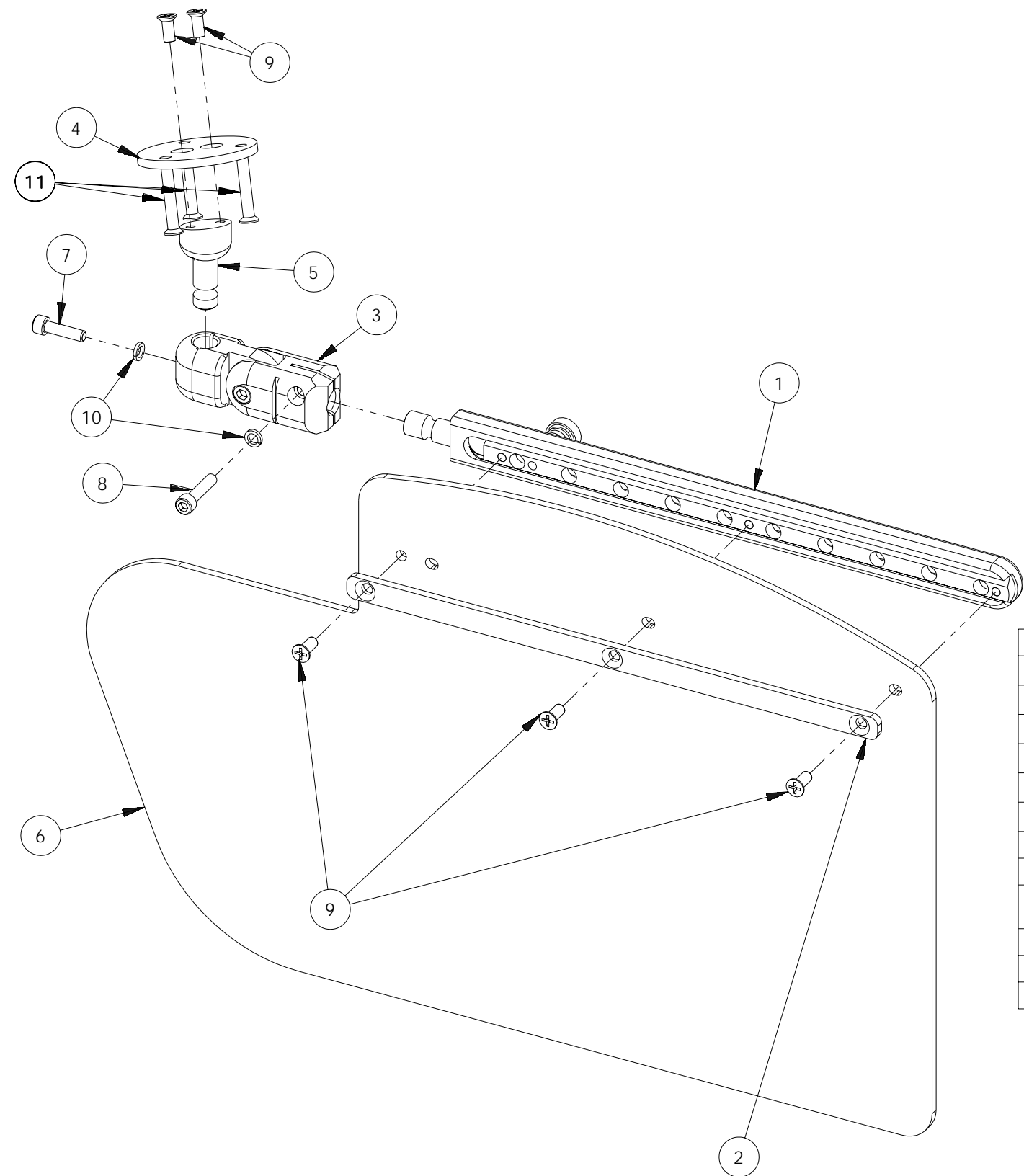


NOTES: (UNLESS OTHERWISE SPECIFIED)

1. ASSEMBLE PER WORK INSTRUCTIONS.




REVISIONS						
ZONE	REV.	DESCRIPTION	DATE	BY	ECO	APRV
	A	RELEASED	3/30/2005	JAG	2727	
	B	ADDED HARDWARE	8/16/2005	DE	2788	GH

USAGE TABLE		REFERENCE
-0	COMPLETE SYSTEM - BOTH SIDES	RLAN-300-4
-1	PILOT - THIS PART AS SHOWN	RLAN-300-4P
-2	COPILLOT - MIRROR IMAGE	RLAN-300-4C

ITEM NO	PART NUMBER	DESCRIPTION	-0 QTY	-1 QTY	-2 QTY
1	1010000-5	COMPLETE SLIDE	2	1	1
2	R1010003	LENS STRIP	2	1	1
3	1020100-001	NSA MODIFIED BLOCK ASSEMBLY	2	1	1
4	1160101-1	MOUNTING PLATE	2	1	1
5	1160102-1	BONANZA STYLE SWIVEL	2	1	1
6	1380201	LENS	2	1	1
7	MS16995-27B	8-32 X .625 HEXAGON SOCKET CAP SCREW(BLACK)	2	1	1
8	MS16995-28B	8-32 X .750 HEXAGON SOCKET CAP SCREW(BLACK)	2	1	1
9	MS24693-C48BP	8-32 X .375 PHILLIPS FLATHEAD SCREW 100(BLACK/PATCH)	9	5	5
10	8HCLW	#8 HIGH COLLAR LOCK WASHER	4	2	2
11	MS24693-C54B	8-32 x 1 PHILLIPS FLATHEAD SCREW 100(BLACK)	6	3	3
12	MS-24693-4B	4-40 x .38 PHILLIPS FLAT HEAD SCREW (BLACK)	1	-	-

PROPRIETARY AND CONFIDENTIAL
 THE INFORMATION CONTAINED HEREIN IS PROPRIETARY TO ROSEN SUNVOR SYSTEMS LLC. ANY REPRODUCTION IN PART OR AS A WHOLE WITHOUT THE WRITTEN PERMISSION OF ROSEN SUNVOR SYSTEMS LLC IS PROHIBITED.

UNLESS OTHERWISE SPECIFIED: DIMENSIONS ARE IN INCHES TOLERANCES: .XX = ± 0.015 .XXX = ± 0.005 ∠ = ± .5° SURFACE = 64		NAME	DATE	 ROSEN SUNVISOR SYSTEMS LLC 86365 COLLEGE VIEW ROAD EUGENE, OREGON 97405 TEL: (541) 747 0034		
INTERPRET DIM AND TOL PER: ASME Y14.5M - 1994		DRAWN	JAG 3/29/05			
MATERIAL:		CHECKED	AW 4/18/05			
TOP LEVEL		ENG APPR.	GH 4/18/05			
NEXT ASSY		MFG APPR.	PB 4/18/05			
APPLICATION		MATERIALS	MAE 4/20/05			
DO NOT SCALE DRAWING		SALES	SPW 4/20/05			
WEIGHT -01: 1.002 LBF		CoM:	N/A	SIZE	DWG. NO.	REV
				B	R1380000	B
				ASSY	SCALE: 1:2	SHEET 1 OF 1