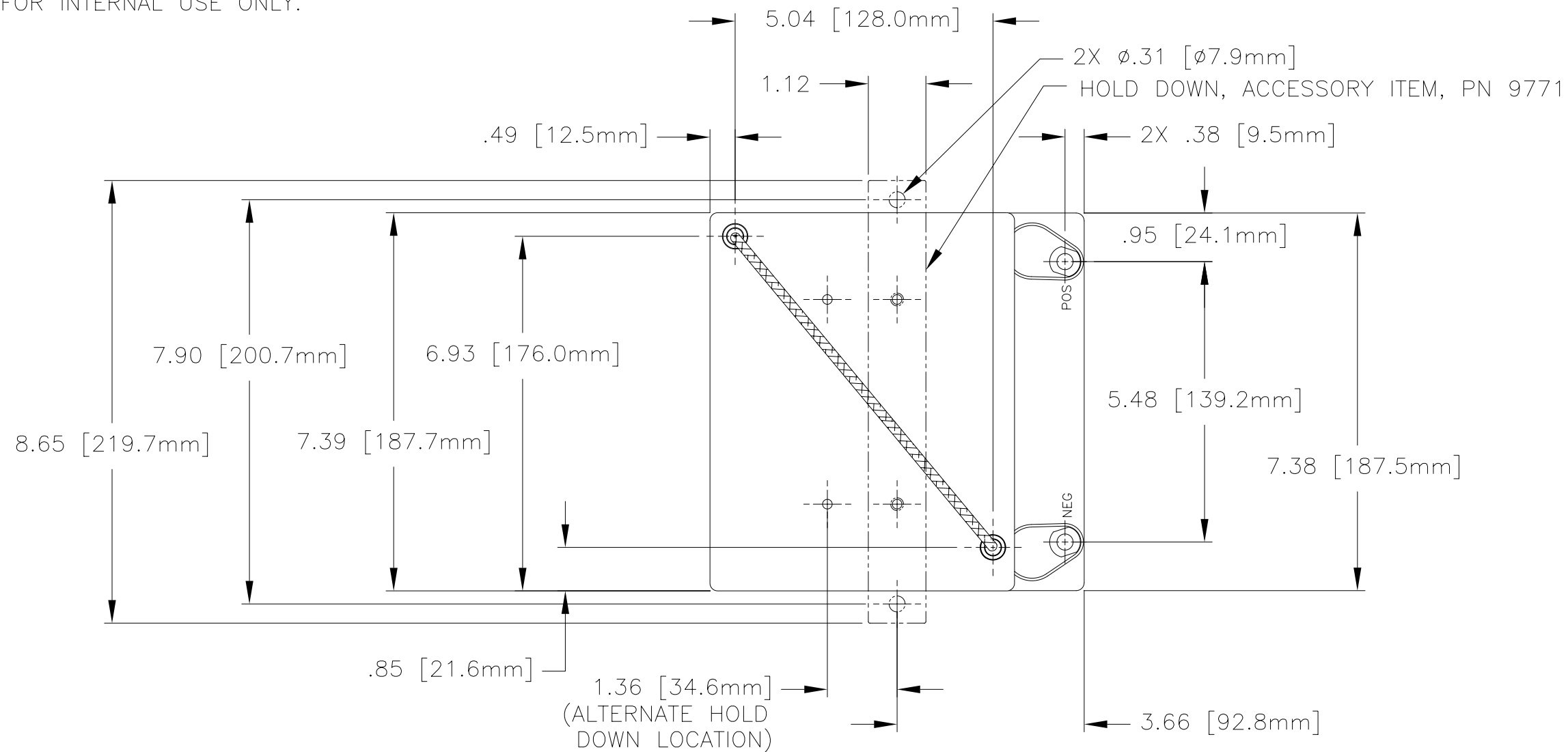


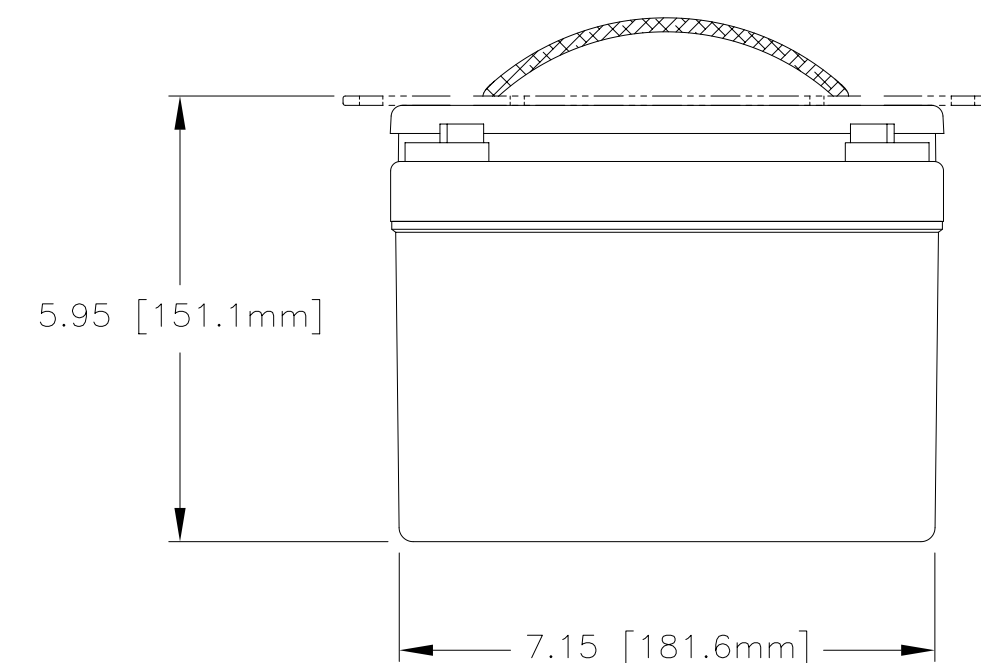
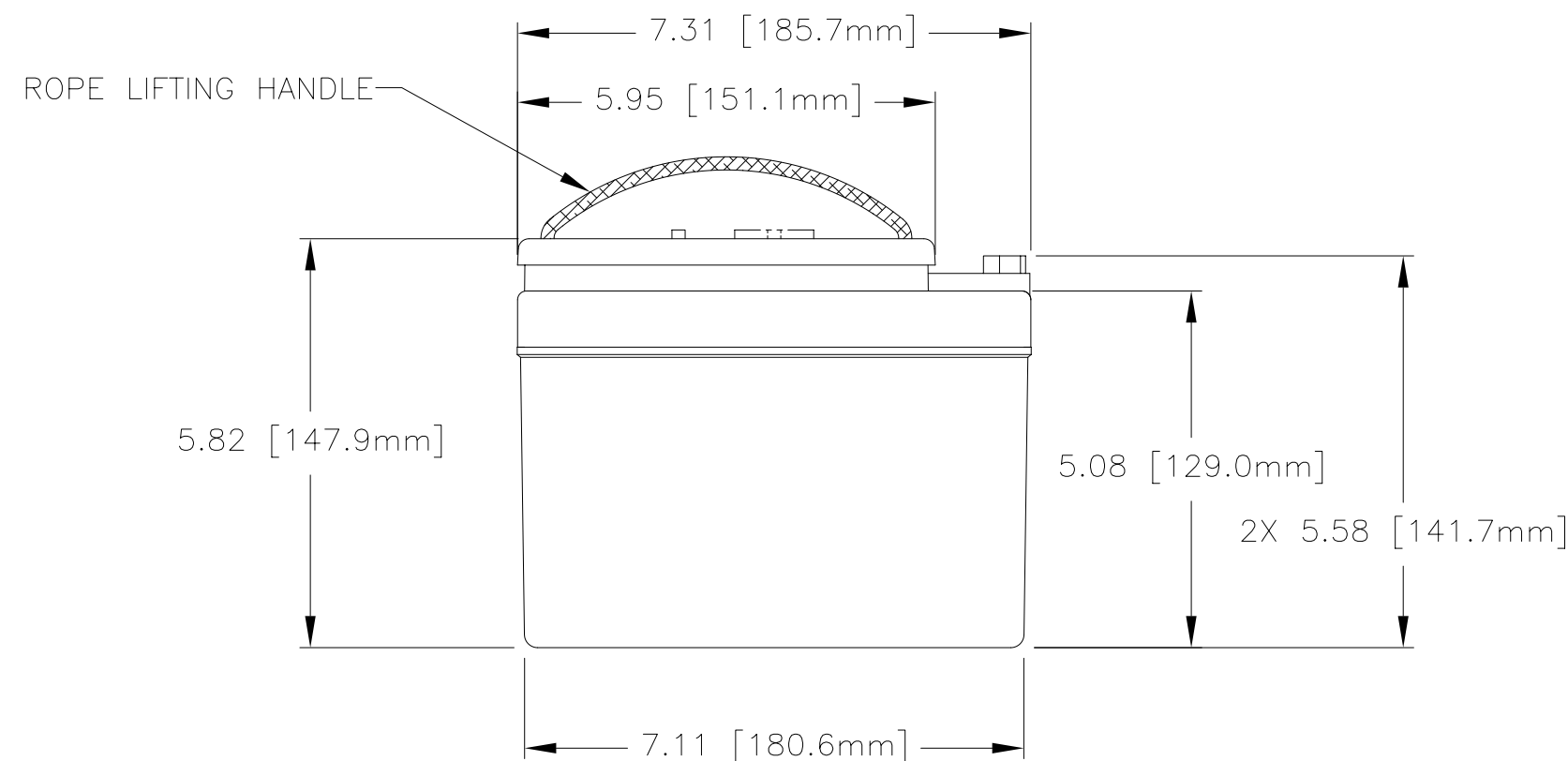
NOTES: UNLESS OTHERWISE SPECIFIED

- ABBREVIATION USED IN TITLE IS: VALVE REGULATED SEALED LEAD ACID (VRSLA).
- INSPECT PER FAR 21.303(h) QUALITY SYSTEM.
- BATTERY CONFORMS TO THE DESIGN REQUIREMENTS OF 14 CFR PART 25.1353(c).
- SEE DRAWING NUMBER CB-00229 AND PRODUCTION INSTRUCTION PI-1000 FOR ASSEMBLY AND TEST INSTRUCTION. PRODUCTION INSTRUCTIONS AND ASSEMBLY DRAWINGS ARE FOR INTERNAL USE ONLY.
- TERMINAL HARDWARE KIT (CBC PN 9586) CONTAINS M8 HEX HEAD SCREWS AND CONICAL WASHERS.
- BATTERIES ARE RATED IAW INTERNATIONAL ELECTROTECHNICAL COMMISSION STANDARD 952-1, UNLESS OTHERWISE NOTED.

REVISIONS			
REV	DESCRIPTION	DATE	APPROVED
A	SEE DCN 0171	4/7/97	DG
B	SEE DCN 0197	7/25/97	JBT
C	REVISED TERMINAL	9/9/98	JBT
D	REVISED WEIGHT TO 29.5 LBS.	9/2/99	JBT
E	REVISED LIFTING HOLES TO ROPE LIFTING HANDLE	9/29/05	JBT



PART NUMBER	RG24-15
MAXIMUM WEIGHT	29.5 LBS [13.4]
RATED CAPACITY, C <sub>1</sub>	13.6 AH
POWER RATING AT 23°C	I <sub>pr</sub> 620 A, I <sub>pp</sub> 930 A
POWER RATING AT -18°C	I <sub>pr</sub> 320 A, I <sub>pp</sub> 615 A
POWER RATING AT -30°C	I <sub>pr</sub> 180 A, I <sub>pp</sub> 390 A



ENVELOPE DRAWING

ENGINEERING COPY 04OCT05

QTY REQD	CAGE CODE	PART OR IDENTIFYING NO.	NOMENCLATURE OR DESCRIPTION	MATERIAL SPECIFICATION	ITEM NO.
PARTS LIST					
UNLESS OTHERWISE SPECIFIED DIMENSIONS ARE IN INCHES TOLERANCES ARE: FRACTIONS DECIMALS ANGLES .XX ± .06 .XXX ± .060			CONTRACT NO.		
TREATMENT NONE			CONCORDE BATTERY CORPORATION 2009 SAN BERNARDINO RD, W. COVINA, CA 91790		
FINISH NONE			TITLE BATTERY, VRSLA, 24 VOLT		
SIMILAR TO			APPROVALS		
ACT WT			DRAWN AMIII 6/28/96		
CALC WT			CHECKED AMIII 7/23/96		
			APPROVED DG 7/23/96		
			ISSUED NS 10/4/05		
SCALE NONE		SIZE C		CAGE CODE 63017	
SHEET 1 OF 1		DWG NO. RG24-15		REV E	