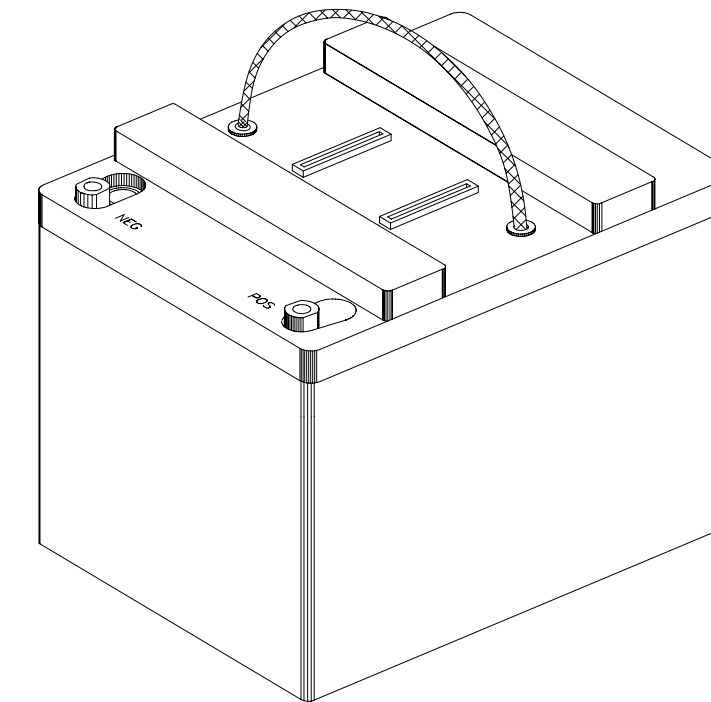
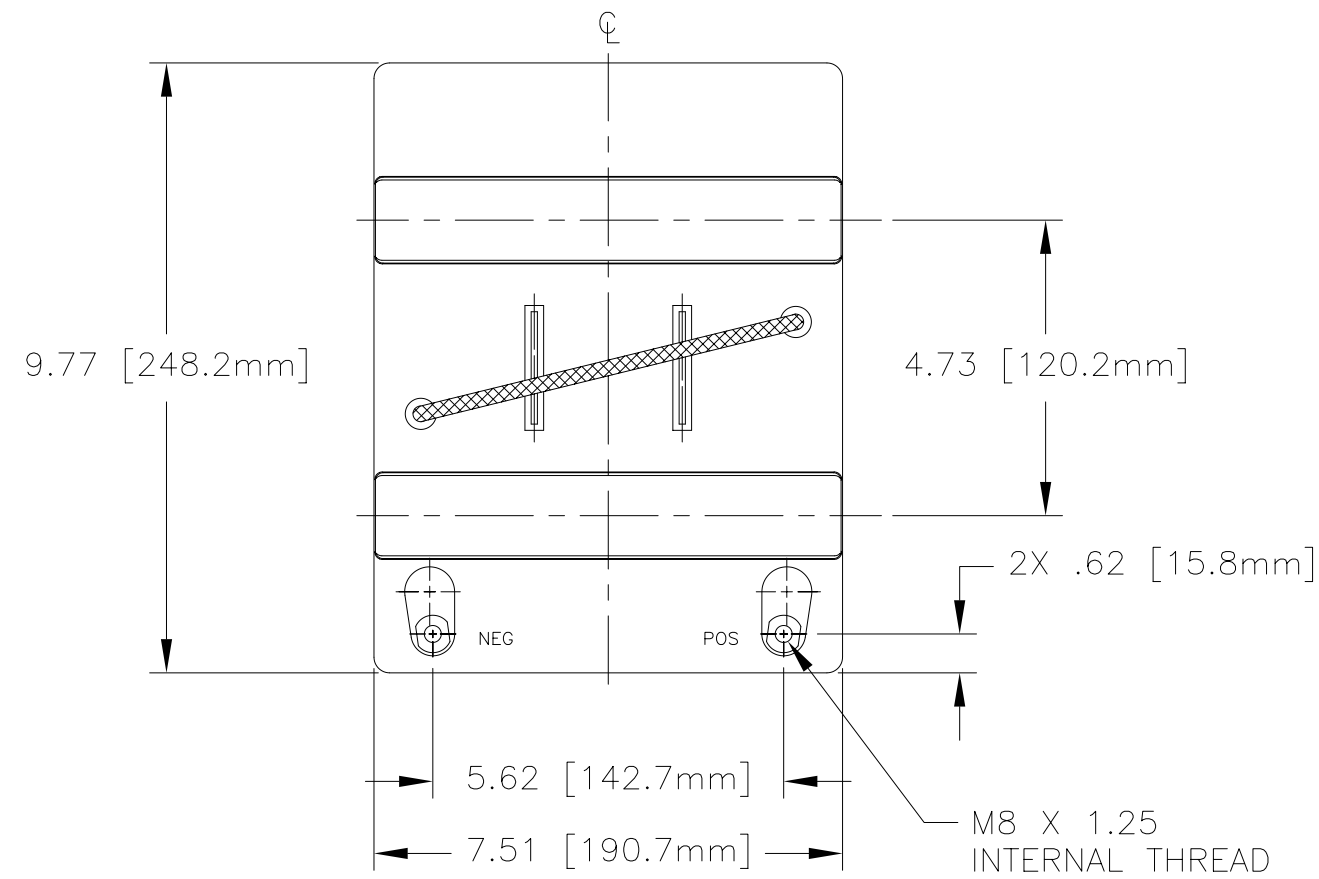


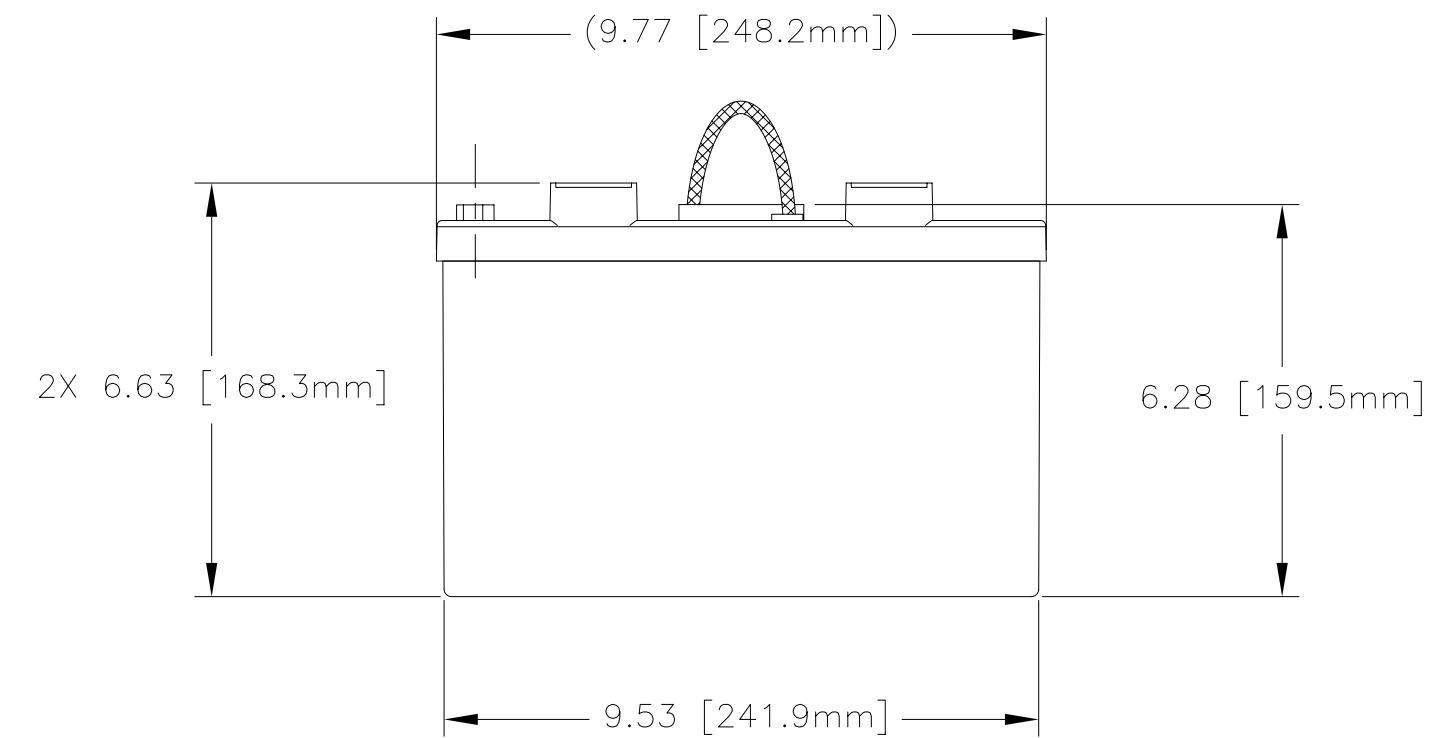
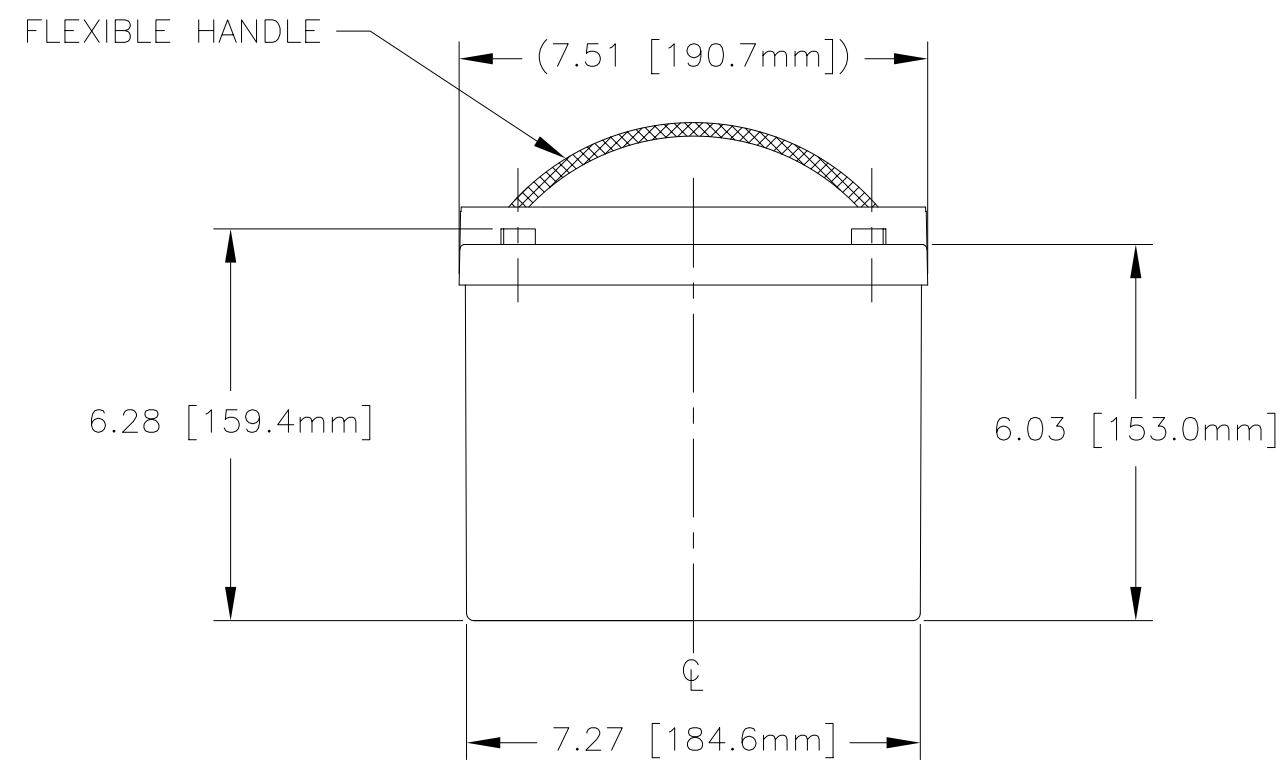
NOTES: UNLESS OTHERWISE SPECIFIED

- BATTERY CONFORMS TO THE DESIGN REQUIREMENTS OF 14 CFR PART 25.1353(c).
- INSPECT PER FAR 21.303(h) QUALITY SYSTEM.
- ABBREVIATION USED IN TITLE IS: VALVE REGULATED SEALED LEAD ACID (VRSLA).
- SEE DRAWING NUMBER CB-00241 AND PROCEDURE P-1000 FOR ASSEMBLY AND TEST INSTRUCTION. PROCEDURES AND ASSEMBLY DRAWINGS ARE FOR INTERNAL USE ONLY.
- BATTERIES ARE RATED IAW INTERNATIONAL ELECTROTECHNICAL COMMISSION STANDARD 952-1, UNLESS OTHERWISE NOTED.
- TERMINAL HARDWARE KIT (CBC PN 9586) CONTAINS M8 HEX HEAD SCREWS AND CONICAL WASHERS.

REVISIONS			
REV	DESCRIPTION	DATE	APPROVED
A	INC 8242 REV E CHANGES	6/7/99	JBT
B	REMOVED SLEEVE, REV. HT. OF CONTAINER (WAS) 6.250	1/19/01	JBT



ENVELOPE DRAWING



ENVELOPE DRAWING

PART NUMBER	RG24-20
MAXIMUM WEIGHT	42 LBS [19.1 KG]
RATED CAPACITY, C ₁	19 AH
POWER RATING AT 23°C	lpr 800 A, lpp 1113 A
POWER RATING AT -18°C	lpr 544 A, lpp 731 A
POWER RATING AT -30°C	lpr 356 A, lpp 532 A

QTY REQD	CAGE CODE	PART OR IDENTIFYING NO.	NOMENCLATURE OR DESCRIPTION	MATERIAL SPECIFICATION	ITEM NO.
PARTS LIST					
UNLESS OTHERWISE SPECIFIED DIMENSIONS ARE IN INCHES TOLERANCES ARE:		CONTRACT NO.		CONCORDE BATTERY CORPORATION	
FRACTIONS DECIMALS ANGLES		APPROVALS		2009 SAN BERNARDINO RD, W. COVINA, CA 91790	
.XX ± .06		DATE		TITLE	
.XXX ± .060		DRAWN PRECIADO M.		BATTERY, VRSLA, 24 VOLT	
TREATMENT	NONE	CHECKED	AMIII	7/21/98	SIZE
FINISH	NONE	APPROVED	JBT	9/9/98	CAGE CODE
SIMILAR TO	ACT WT	ISSUED	AT	01/25/01	DWG NO.
	CALC WT				RG24-20
					REV B
					SCALE NONE
					SHEET 1 OF 1

ENGINEERING COPY 25JAN01