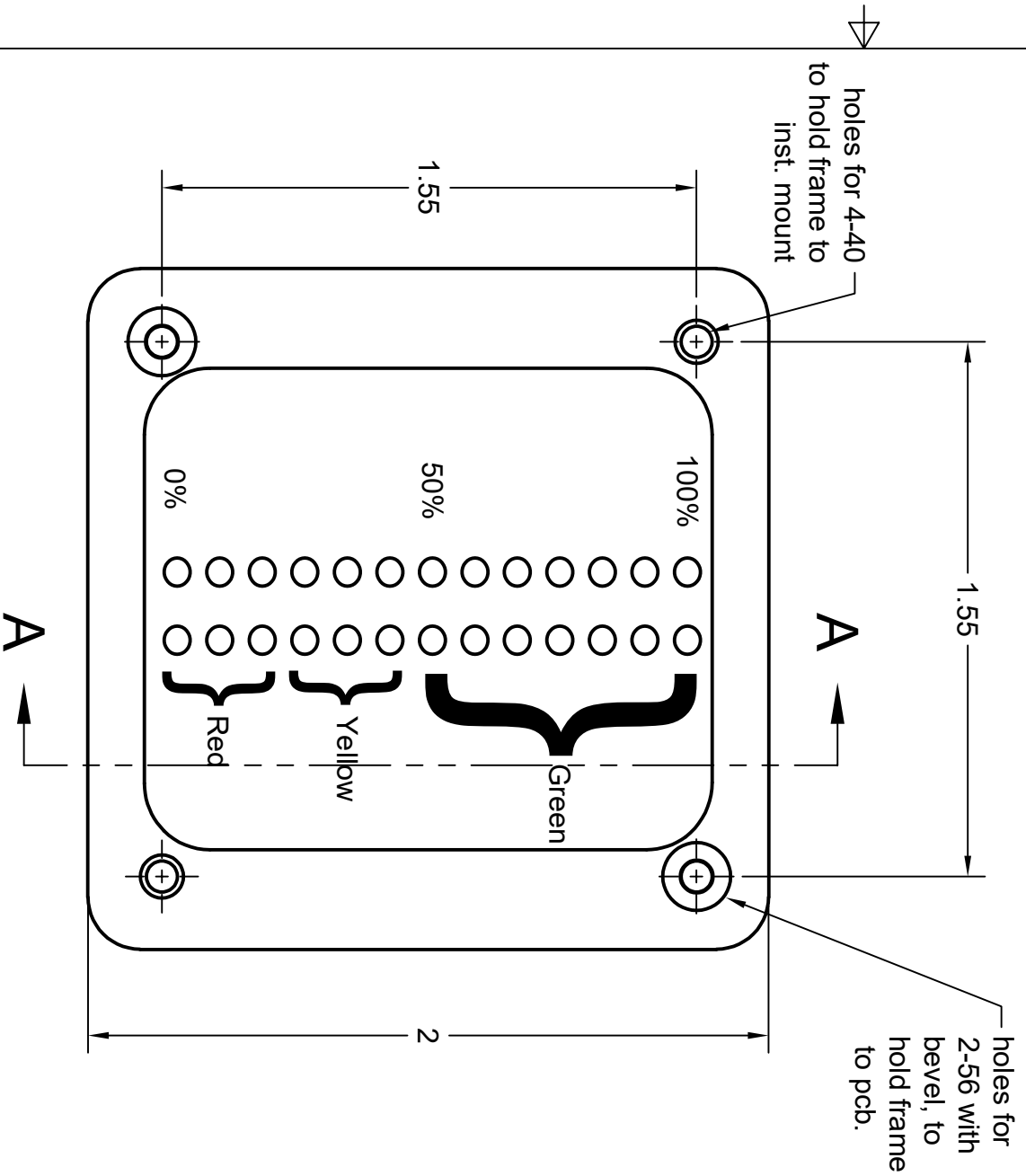


hole needed on mount for harness pass-through

hole(s) needed on mount for raised buttons, for clearance and to access them

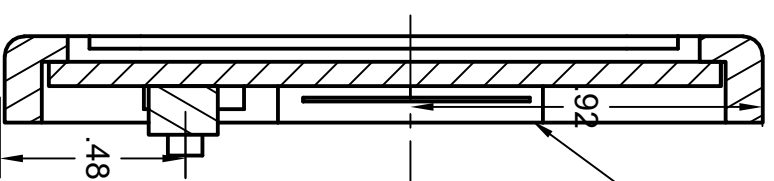


A

A

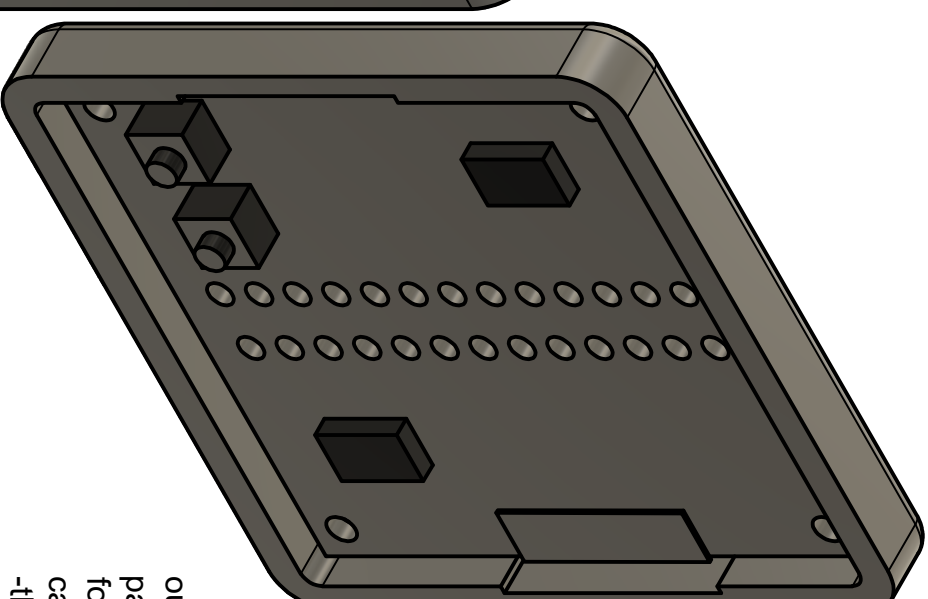
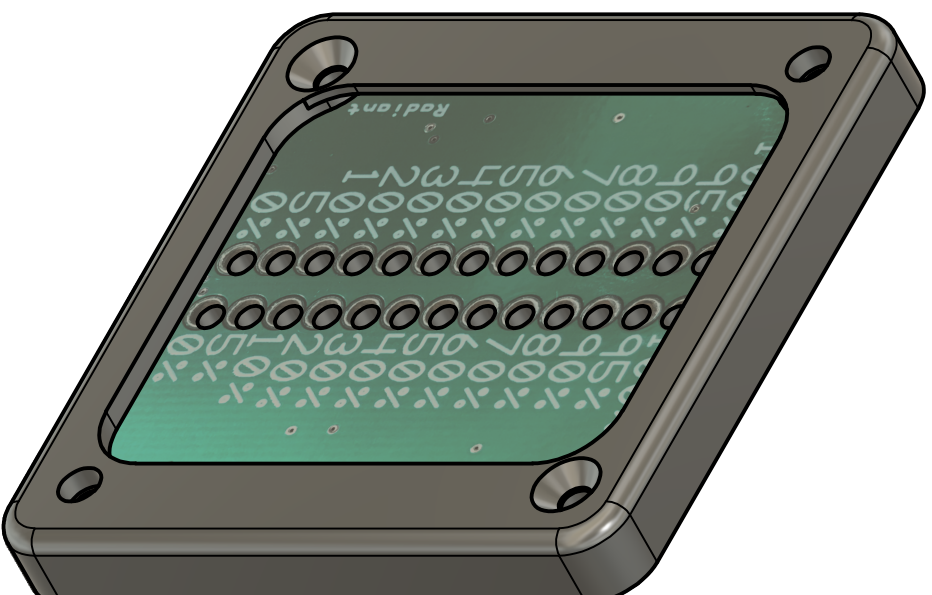
holes for 2-56 with bevel, to hold frame to pcb.

A-A

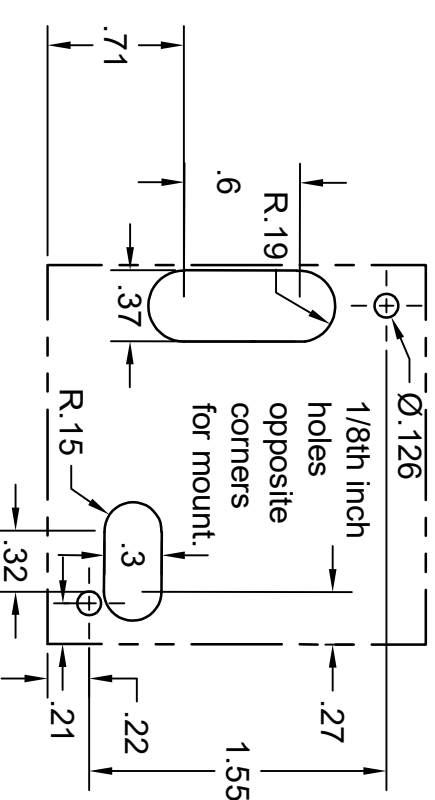


hole needed for harness pass-through

- Harness Pin-Out
- 1) GROUND      BLACK
  - 2) LEFT        ORANGE
  - 3) RIGHT      ORANGE/WHITE
  - 4) 8V TO 14V RED
  - 5) DIMMER     YELLOW



outline and holes for pannel mount. (left hole for plug lower right for calibration bltns.) -this pic 1:1 -



PROJECT  
**Radiant Square Instruments**  
 TITLE  
**Small Inst Frame Bezel**

APPROVED	SIZE	CODE	DWG NO	REV
CHECKED	B			2
DRAWN	SCALE 2:1	WEIGHT	SHEET 1/1	
Steve Damon	7/13/2020			