

Stainless Steel Case Gauge

FEATURES

- Meets ASME B40.100 specifications
- Corrosion resistant SS case
- Dry gauges are field fillable
- Movement provides superior resistance to shock, vibration and pulsation
- Reduces reading errors by using “zero box” instead of conventional dial pins
- Performance available for liquid filled performance with a dry gauge
- MSL helium leak tested to 1×10^{-6} scc/s
- Ventable fill plug
- Accessory kits for easy panel mounting

TYPICAL USES

- Pumps and compressors
- Boilers
- Equipment skids Specialized
- OEM equipment Hydraulics and pneumatics Severe ambient conditions

SPECIFICATIONS

Accuracy: ASME B40.100, Grade 1A, $\pm 1\%$ of span (Dry)
 $\pm 1.5\%$ of span (Liquid filled)

Dial Sizes: 2½" (63mm), 3½" (100mm)

Ranges: Minimum 0-15 psi, maximum 0-15,000 psi, vacuum and compound

Wetted Materials

Tube: 316L SS tube
 Process Connection: 316LSS socket (SW)
 Aluminum bronze socket (AW)

Non Wetted Materials

Window: Polycarbonate (Std.), Safety glass (XSG), Polysulfone (XPS) 3½" Dial only

Dial: Black figures on white background, aluminum

Pointer: Black, aluminum, adjustable (Std.), micrometer (XMP)

Movement: **PowerFlex** movement
 Bottom plate – 304 SS
 Upper plate – 304 SS
 Pin – 304 SS
 Hairspring assembly – 304 SS
 Pinion – 304 SS
 Segment – Glass filled polyester

Case: 304 SS (Std.), 316LSS (XYW)

Ring: 304 SS (Std.), 316LSS (XYW)

Process Connection

Location: Lower, Back, Top, 3 o'clock, 9 o'clock

Process Connection

Sizes: ½NPT, ¼NPT (see ordering code for more options)

Dampening: Glycerin casefill (Std. liquid fill), Silicone casefill (XGV), Halocarbon casefill (XGX)

Weather Protection: IP65 (Plug closed), IP54 (Plug vented)
 NEMA 4X (Plug closed)

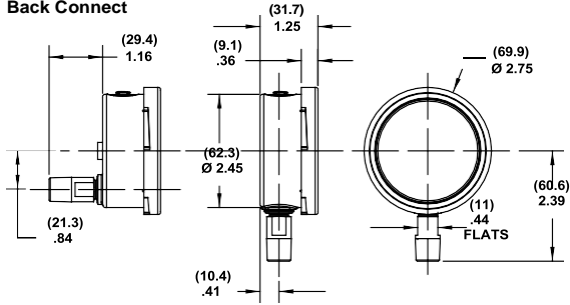
Approvals: CRN, RoHS, PED

MIN/MAX TEMPERATURE LIMITS			
Version	Ambient	Process	Storage
Dry	-40/200°F (-40/93°C)	-40/250°F (-40/121°C)	-40/250°F (-40/121°C)
PLUS!	-40/150°F (-40/66°C)	-40/200°F (-40/93°C)	-40/150°F (-40/66°C)
Glycerin Fill	20/150°F (-7/66°C)	20/200°F (-7/93°C)	0/150°F (-18/66°C)
Silicone Fill	-40/150°F (-40/66°C)	-40/200°F (-40/93°C)	-40/150°F (-40/66°C)
Halocarbon Fill	-40/150°F (-40/66°C)	-40/200°F (-40/93°C)	-40/150°F (-40/66°C)

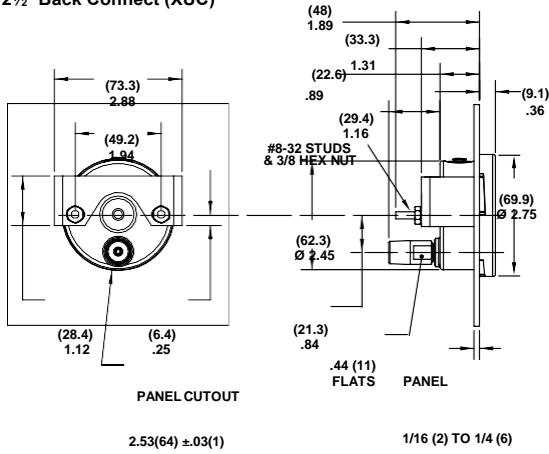
Stainless Steel Case Gauge

DIMENSIONS (dimensions in [] are millimeters)

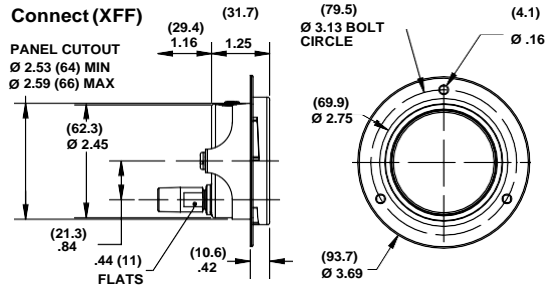
2½" Lower and Back Connect



2½" Back Connect (XUC)



2½" Back Connect (XFF)



2½" Lower and Back Connect (XFW)

