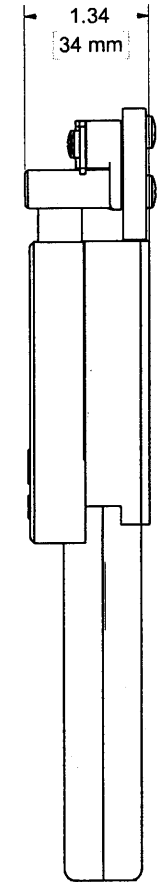
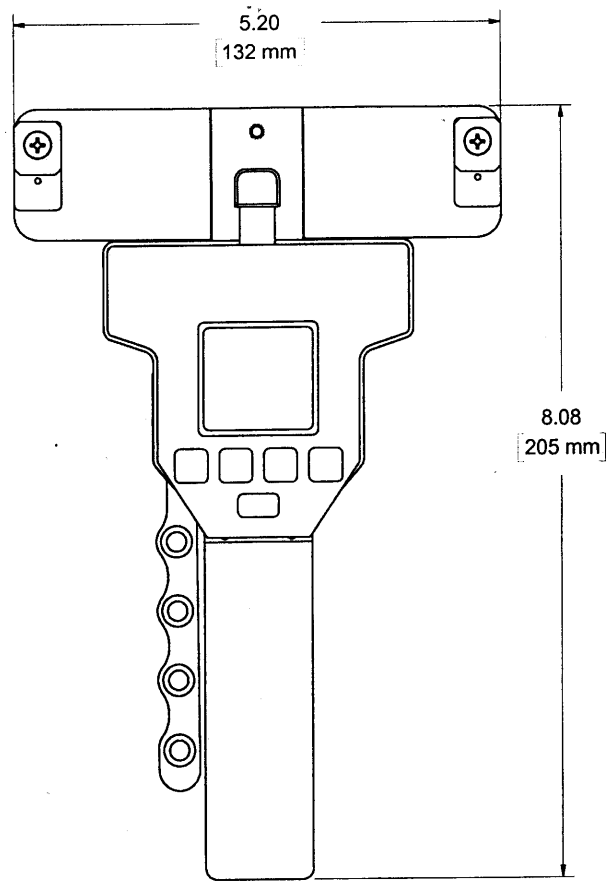



Revisions			
SYM	Description	Date	Approval



Material 6061			Finish ANODIZE BORDEAUX RED			Heat Treat		
DIMENSIONAL TOLERANCES UNLESS OTHERWISE SPECIFIED			TITLE ACX-500 PRECISION, DIGITAL AIRCRAFT CABLE TENSION METER			Weight		
FRAC.	DEC.	ANG.				 733 South Bowen Street Longmont, CO 80501		
± 1/64	± .005	± 30°						
Scale 1:2	No. Req'd		Drawn SHS	Date 4-11-06	Size	Drawing Number		Issue
Next Assy			Checked	Date				
			Approved	Date				