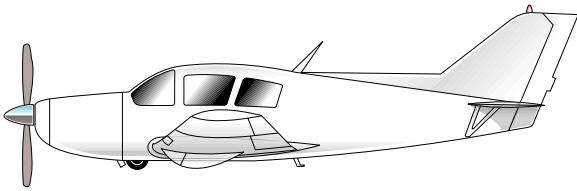


# APPLICATION SHEET



FAA REPAIR STATION UT3R905L  
 JAA JAR 145.10  
 FAA-PMA PARTS MANUFACTURING APPROVED

**ENGINE VIBRATION ISOLATORS**  
**TYPE 94021-01, 94021-02, 94030-01, 94031-01, 94031-02**

**Barry Controls™ Aerospace** designs and manufactures engine vibration isolation systems to meet the exacting standards of the aircraft industry. These systems are designed to reduce the magnitude of vibration transmitted from the propeller/powerplant to the airframe. Isolation provides: reduced pilot fatigue, passenger comfort, and maximum protection of the aircraft structure and systems from damaging vibration. To assure maximum protection and performance, **Barry Controls™ Aerospace** suggests replacing the isolation system at each engine overhaul.

**Barry Controls™ Aerospace** has been granted Parts Manufacturer Approval (PMA) for engine vibration isolators type 94021-01, 94021-02, 94030-01, 94031-01, and 94031-02 used on the aircraft listed below. One engine vibration isolation system consists of four isolators per aircraft as indicated under applications. Each isolator consists of two molded assemblies and a spacer. The spacer located between the two molded assemblies provides proper installation positioning and pre-compression.

**APPLICATIONS**

AIRCRAFT MANUFACTURER	AIRCRAFT MODEL	POPULAR NAME	ENGINE	94030-01 PER AIRCRAFT	94031-01 PER AIRCRAFT	94031-02 PER AIRCRAFT	
BELLANCA	17-30A (1972)	VIKING 300	TCM IO-520-K	2	2	0	
CESSNA	206, U206, U206A, P206, P206A thru P206E	CENTURION	TCM IO-520-A	2	2	0	
	U206B thru U206G		TCM IO-520-F	2	2	0	
	TP206A thru TP206E		TCM IO-520-C	2	2	0	
	TU206A thru TU206F		TCM TSIO-520-C	2	2	0	
	TU206G, T207A		TCM TSIO-520-M	2	2	0	
	207, 207A		TCM IO-520-F	2	2	0	
	T207		TCM TSIO-520-G	2	2	0	
	210D thru 210H		TCM IO-520-A	2	2	0	
	210J		TCM IO-520-J	2	2	0	
	210K thru 210M		TCM IO-520-L	2	2	0	
	210N		TCM IO-520-L	2	2	0	
	T210F thru T210H		TURBO CENTURION	TCM TSIO-520-C	2	1	1
	T210J thru T210L		TURBO CENTURION	TCM TSIO-520-H	2	1	1
	T210M, T210N		CENTURION	TCM TSIO-520-R	2	1	1
	P210N		PRESSURED CENTURION	TCM TSIO-520-AF or TCM TSIO-520-P	2	0*	0*
	P210R			TCM TSIO-520-CE	2	0*	0*

\* Cessna P210N and P210R require two 94030-01, one 94021-01, and one 94021-02

**Barry Controls™ Aerospace** vibration isolators are sold as assemblies. The illustrated parts breakdown and part number list is provided as reference only. For additional information, applications assistance, and technical support, please contact our customer service department.

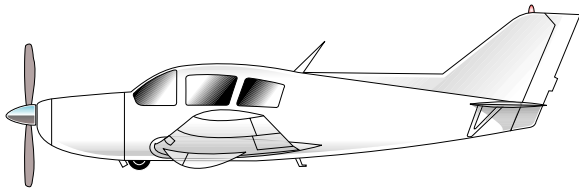
## BARRY CONTROLS™ Aerospace



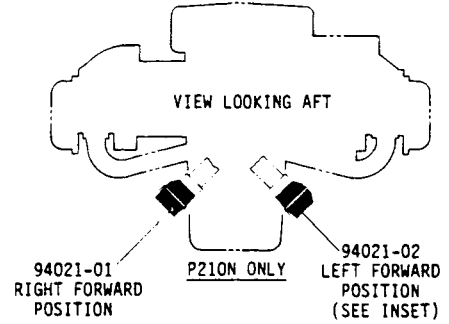
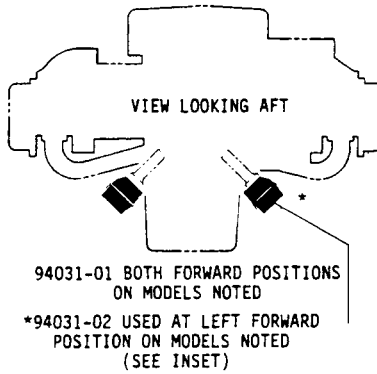
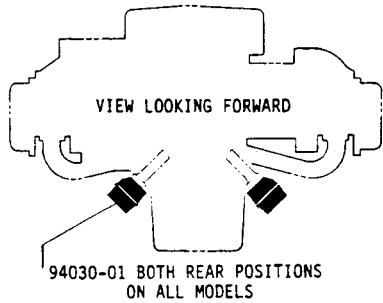
4510 Vanowen Street  
 Burbank CA 91505-7710  
 Phone (818) 843-1000  
 FAX (818) 845-6978

# APPLICATION SHEET

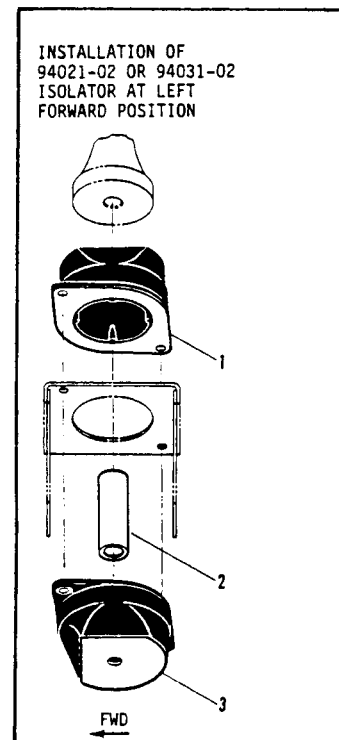
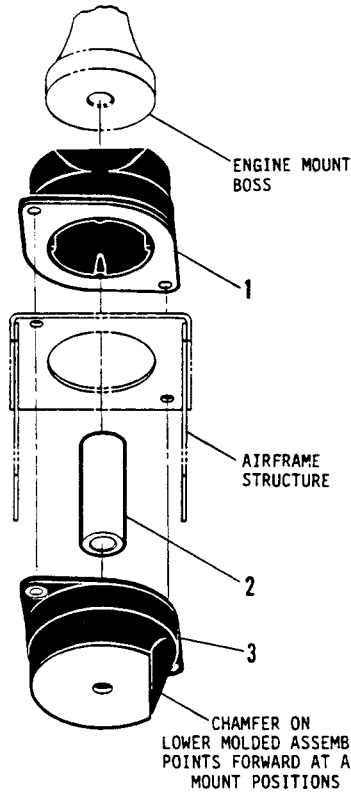
# BARRY CONTROLS™



FAA REPAIR STATION UT3R905L  
 JAA JAR 145.10  
 FAA-PMA PARTS MANUFACTURING APPROVED



ISOLATOR TYPE NO.	ITEM	DESCRIPTION	PART NUMBER
94030-01	1	MOLDED ASSY	00-11920-15
	2	SPACER	85-9217-08
	3	MOLDED ASSY	00-11920-15
94031-01	1	MOLDED ASSY	00-11921-15
	2	SPACER	85-9217-08
	3	MOLDED ASSY	00-11920-15
94031-02	1	MOLDED ASSY	00-11921-15
	2	SPACER	85-9217-08
	3	MOLDED ASSY	00-11926-15
94021-01	1	MOLDED ASSY	00-11921-55
	2	SPACER	85-9217-08
	3	MOLDED ASSY	00-11920-55
94021-02	1	MOLDED ASSY	00-11921-55
	2	SPACER	85-9217-08
	3	MOLDED ASSY	00-11926-55



# BARRY CONTROLS™ Aerospace



4510 Vanowen Street  
 Burbank CA 91505-7710  
 Phone (818) 843-1000  
 FAX (818) 845-6978