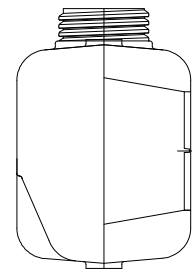
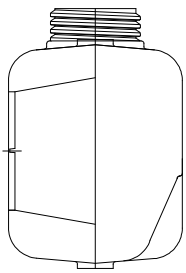
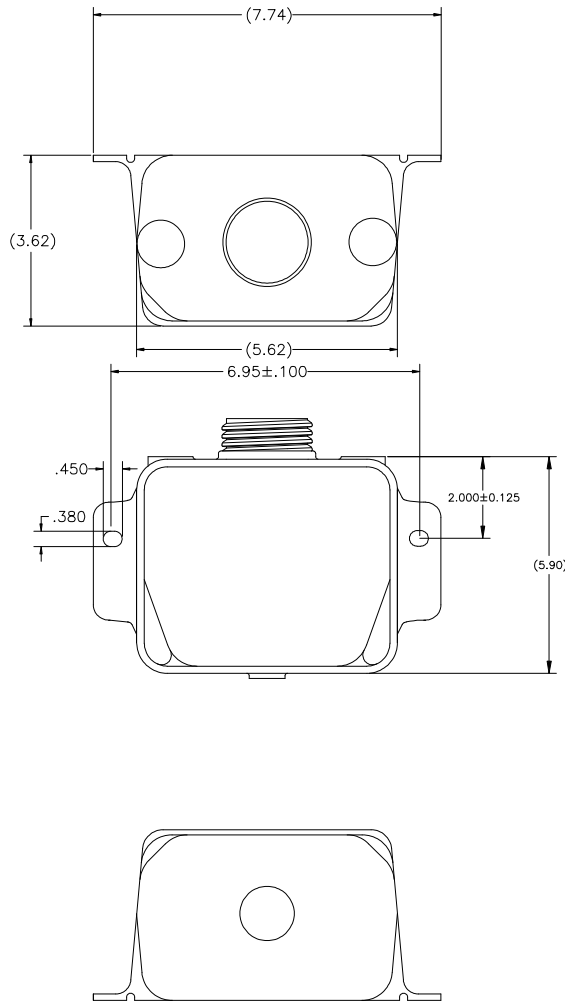


Bill of Material		
Qty.	FPN	Description
Qty.	FPN	Description
Qty.	FPN	Description

REVISIONS						
ZONE	REV	DESCRIPTION	DATE	APPROVED		
N/A	A	Create Print	05/07/07	S. Wood		



As a supplier of proprietary products, this Flambeau print serves as the controlled document and supercedes all customer prints.

C O N F I D E N T I A L

X.X	± 0.060
X.XX	± 0.030
X.XXX	± 0.010
ANGLES	± 1°



FLAMBEAU, Inc.
Fluid Systems Division

DESCRIPTION	1.5 Qt. Base Tank
CUSTOMER	Fluids

DRAWN BY S. Wood	DATE 04/16/07	SIZE A	MOLD NO. 4902	DWG. NO. 070330	REV A
APPROVED BY S. Wood	DATE 04/16/07	SCALE NTS	FPN 070330	CPN N/A	SHEET 1 OF 1