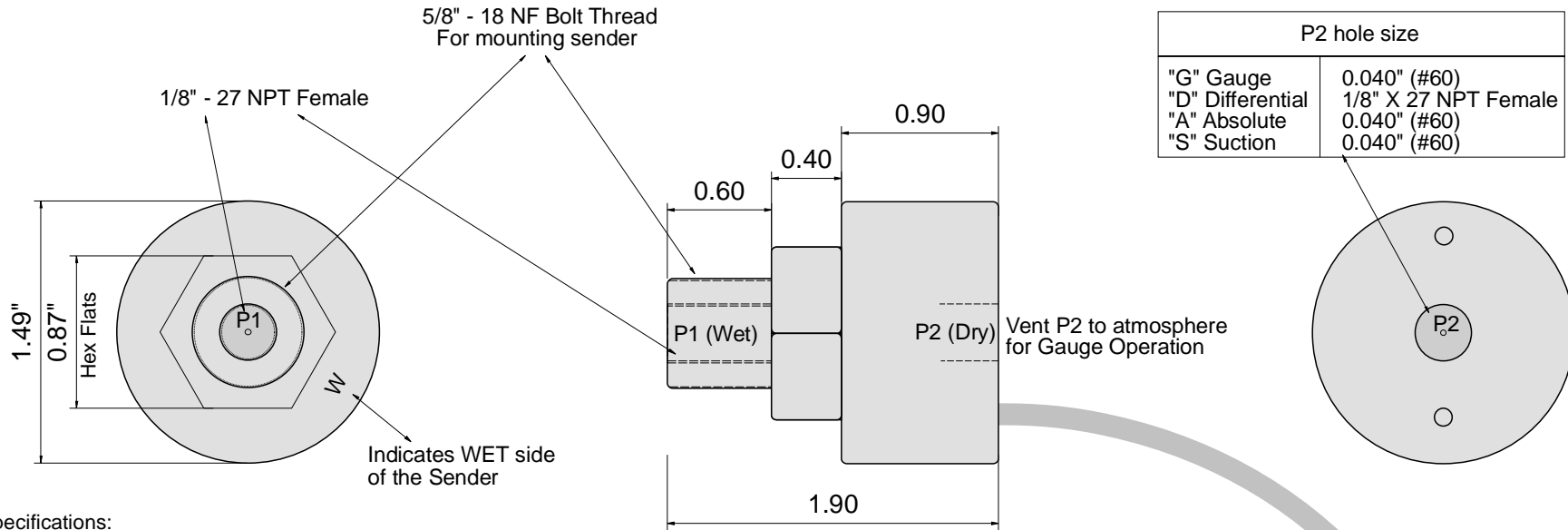


MATERIAL:

Specification Drawing



Specifications:

- Type Pressure transducer, Differential, Gauge, & Absolute
- Supply Voltage 9 to 12 Volts DC
- Output Precalibrated to Customer request (0÷5V, 0.5÷4.5V or 0.2÷4.7V)
- Current Draw 10ma Max
- Temp. Limit 125°C
- Press. Range See Table 1
- Accuracy +/- 2.5% of Full Scale
- Housing Aluminum
- Weight 2 oz (not including cable)

Cable Aproximately 2Ft in Length
MIL-W-16878 Type E
3 Conductor 24 AWG with Shield

Pressure P1 & P2 (Differential / Gauge)
Pressure P1 only (Absolute)

Media Compatibility (Contact UMA for details)
P1 Wet or Dry
P2 Dry

Part Number	Range	Max Pressure
N/T xEU07D/G/S*	0 to 7 PSI	29 PSI
N/T xEU35D/G*	0 to 35 PSI	58 PSI
N/T xEU70D/G*	0 to 70 PSI	290 PSI
N/T xEU100D/G*	0 to 100 PSI	406 PSI
N/T xEU150D/G*	0 to 150 PSI	580 PSI
N/T xEU50A	5 to 50 InHg	58 InHg

ECO	REV	DESCRIPTION	DR	DATE	APP
	D	Specs and Table 1 added	ShM	1/24/2011	
05-0042	C	P2 hole size for "A" - Absolute added	RCB	10/19/05	
05-0008	B	HEX Flats added	RCB	5/31/05	
	A	Add temp spec; general clarification	JM	3/10/05	

TOLERANCES EXCEPT AS NOTED

.XX ± 0.01
.XXX ± 0.005

ANGULAR ±1°

UMA Inc, 260 Main St. Dayton, VA 22821			
SCALE 1 : 1	DATE: 01/27/04	SHEET 1 of 1	
SUPPLIER COMPLETE <input type="checkbox"/>	DRAW BY BKD		
DESCRIPTION N/T xEU Series Pressure Senders			
APP	PART# N/TxEUxxxx	REV	D