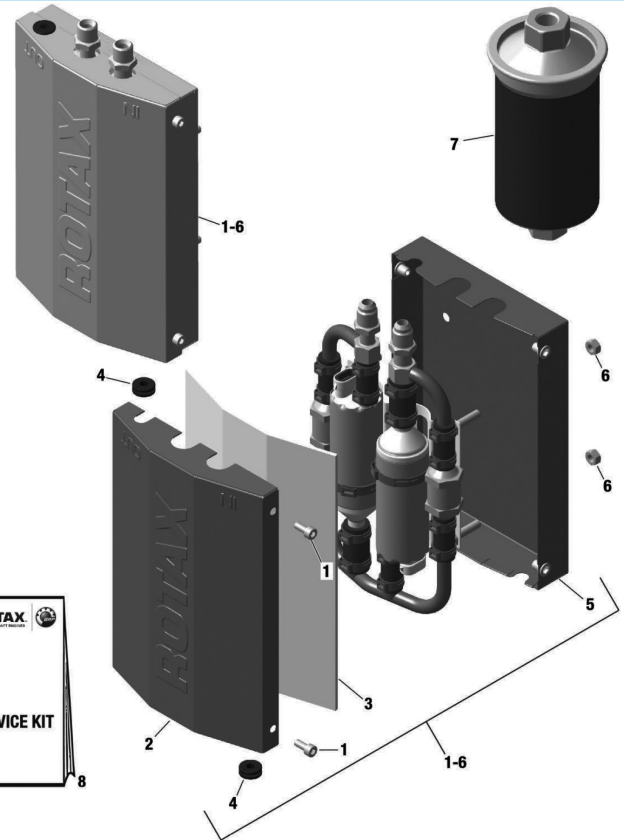
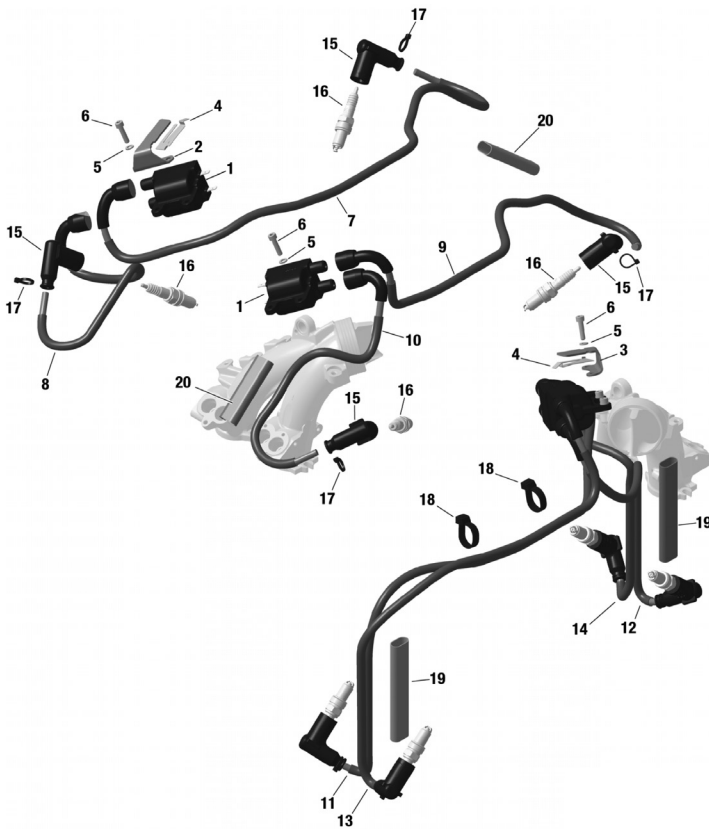


RTX

FUEL PUMP ASSEMBLY - NON-CERTIFIED

| Item No. | Part No | Description | Qty. Req. | Price |
|----------|---------|---------------------------|-----------|------------|
| 1-6 | 889-696 | FUEL PUMP ASSEMBLY UNF | 1a | \$1,415.66 |
| 1-6 | 889-698 | FUEL PUMP ASSEMBLY METRIC | 1b | \$1,563.00 |
| 1 | 640-542 | ALLEN SCREW M5x12 | 4 | \$0.35 |
| 2 | 911-790 | COVER | 1 | \$65.67 |
| 3 | 975-055 | HEAT PROTECTION MAT | 1 | \$13.18 |
| 4 | 201-160 | RUBBER GROMMET | 2 | \$3.43 |
| 5 | 911-700 | HOUSING | 1 | \$69.49 |
| 6 | 242-213 | HEX. NUT M6 | 8 | \$1.58 |
| 7 | 874-060 | FUEL FILTER | 1 | \$53.42 |
| 8 | 889-537 | SERVICE KIT | 1 | CALL |

a Thread 9/16 18 UNF
b Thread M14x1.5



IGNITION COILS, IGNITION CABLE, SPARK PLUG CONNECTOR, SPARK PLUG

| Item No. | Part No | Description | Qty. Req. | Price |
|----------|---------|-----------------------------------|-----------|----------|
| 1 | 665-613 | DOUBLE IGNITION COIL | 4 | \$339.00 |
| 2 | 951-497 | CONNECTOR BRACKET | 1 | CALL |
| 3 | 951-496 | CONNECTOR BRACKET | 1 | CALL |
| 4 | 251-685 | SPRING HOOK | 2 | CALL |
| 5 | 945-750 | LOCK WASHER A5 | 8 | \$0.14 |
| 6 | 441-341 | ALLEN SCREW M5x20 | 8 | \$0.48 |
| 7-14 | 665-558 | IGNITION CABLE SET | 1a | \$230.08 |
| 15 | 265-249 | SPARK PLUG CONNECTOR | 8 | \$41.50 |
| 16 | 297-656 | SPARK PLUG | 8 | \$21.95 |
| 17 | 866-718 | TIE WRAP 94x2.5 MM | 8 | \$0.35 |
| 18 | 866-716 | TIE WRAP 203x7.6 MM | 2 | \$0.66 |
| 19 | 860-734 | GLASS FIBER-SILICON SHEATHING 120 | 2 | \$8.35 |
| 20 | 860-736 | GLASS FIBER-SILICON SHEATHING 75 | 2 | CALL |

a Set for double ignition coil with high tension connector rettich thread included: 8 ignition cable assy., 8 protective cap and 8 glass fiber-silicon sheathing.

COOLING AIR BAFFLE

| Item No. | Part No | Description | Qty. Req. | Price |
|----------|---------|--|-----------|----------|
| 1 | 975-795 | COOLING AIR BAFFLE, TRACTOR WHITE | (1) | \$614.86 |
| 1 | 975-799 | COOLING AIR BAFFLE, TRACTOR BLACK | (1) | CALL |
| 1-2 | 975-792 | COOLING AIR BAFFLE, PUSHER WHITE - NON-CERTIFIED | (1) | CALL |
| 1-2 | 975-798 | COOLING AIR BAFFLE, PUSHER BLACK - NON-CERTIFIED | (1) | CALL |
| 2 | 201-160 | RUBBER GROMMET | (1) | \$3.43 |
| 3 | 922-327 | OVERFLOW BOTTLE WITH CAP | 1 | \$53.40 |
| 4 | 997-086 | RADIATOR - NON-CERTIFIED | 1 | CALL |

