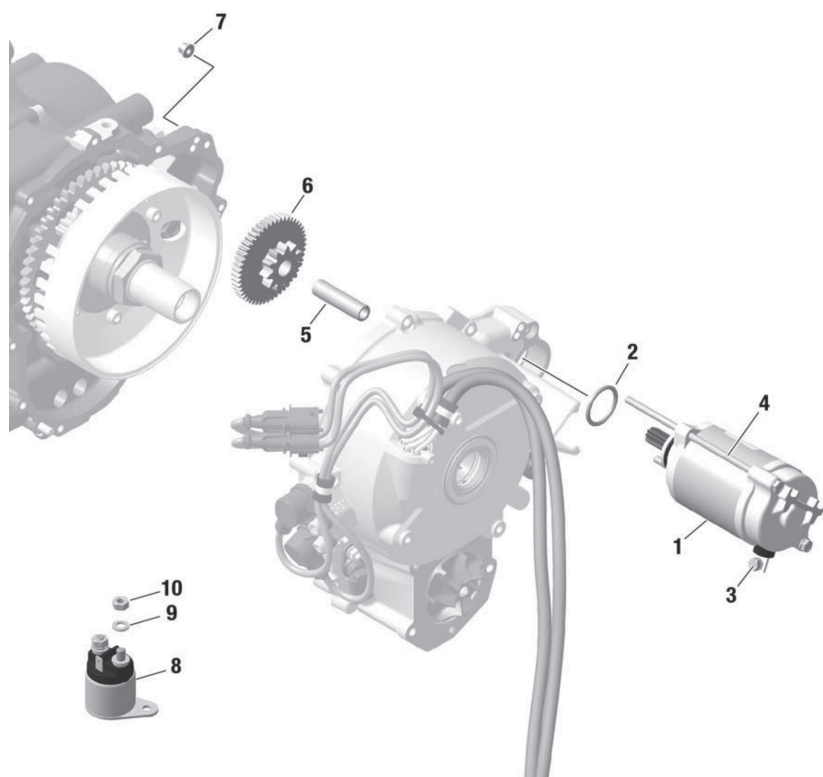
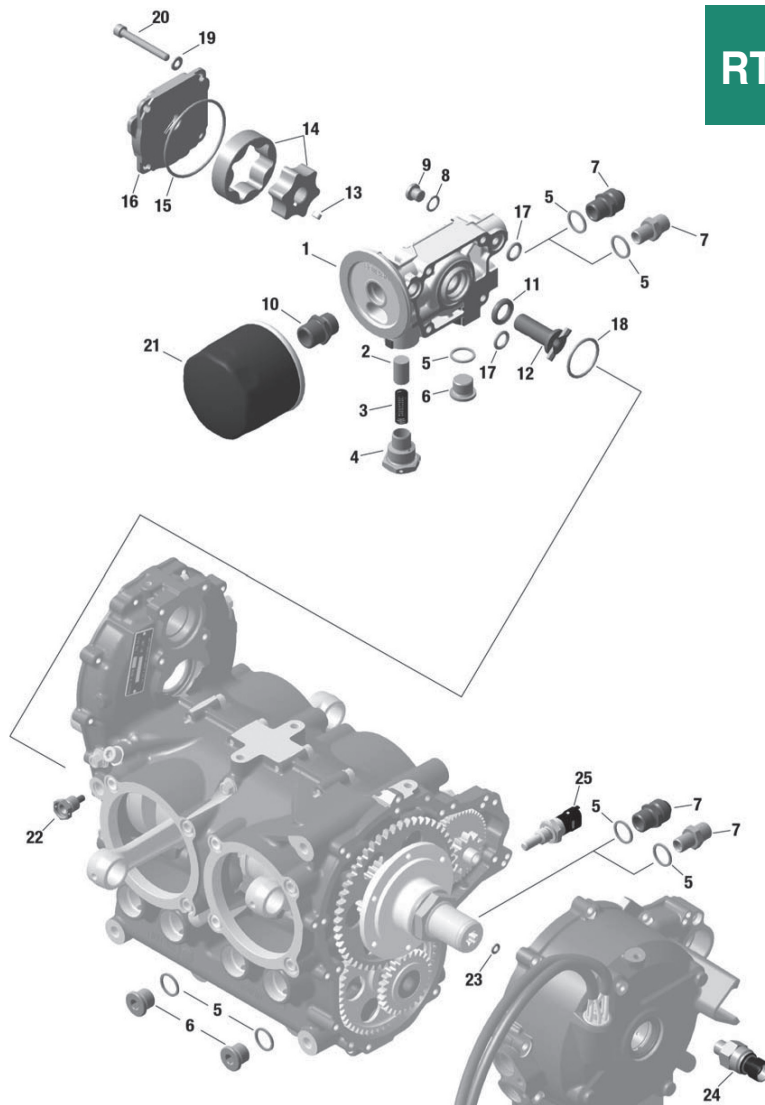


OIL PUMP ASSEMBLY, OIL FILTER, OIL TEMPERATURE SENSOR, OIL PRESSURE SENSOR

Item No.	Part No	Description	Qty. Req.	Price
1	811-460	OIL PUMP HOUSING	1	\$666.60
2	856-330	REGULATING PISTON	1	\$18.42
3	838-125	COMPRESSION SPRING L65.6	1	\$3.43
4	640-850	PLUG SCREW M 22x1.5	1	\$38.22
5	430-622	SEALING RING A16x22	5	\$2.50
6	240-234	PLUG SCREW M16x1.5	3	\$10.79
7	956-655	ADAPTER M18x1.5 / M16x1.5	2	\$59.72
7	956-651	ADAPTER 3/4-16 UNF / M16x1.5	2	\$90.35
8	230-150	SEALING RING A 10x14	1	\$1.09
9	641-733	PLUG SCREW M10x1	1	\$10.70
10	924-424	OIL FILTER NIPPLE	1	\$51.79
11	430-102	OIL SEAL A 14x22x4 FPM	1	\$10.36
12	837-292	OIL PUMP SHAFT	1	\$66.11
13	246-580	KEY A 4x4x8	1	\$1.78
14	888-821	PRESSURE INNER AND OUTER ROTOR	1	\$78.82
15	830-372	O-RING 63-2.5	1	\$3.50
16	911-713	OIL PUMP COVER	1	\$80.15
17	250-460	O-RING 11-2.7	2	\$5.93
18	950-410	O-RING 30-2.5	1	\$12.98
19	827-962	WASHER 6.4	4	\$0.31
20	241-762	ALLEN SCREW M6x50	4	\$0.94
21	825-016	OIL FILTER	1	\$19.95
22	241-785	MAGNETIC DRAIN PLUG M12x1.5	1	\$58.73
24	664-365	PRESSURE SENSOR 10	1	\$301.82
25	965-537	TEMPERATURE SENSOR	1	\$182.07

- Items not illustrated



ELECTRIC STARTER, STARTER RELAY

Item No.	Part No	Description	Qty. Req.	Price
1-4	685-667	ELECTRIC STARTER ASSEMBLY	1	\$699.00
2	250-140	O-RING 24.4x3.1	1	\$7.14
3	240-457	TERMINAL SCREW M5x8	1	CALL
4	241-132	SET BOLT M5x143	2	CALL
5	837-102	IDLE GEAR SHAFT	1	\$27.60
6	834-156	IDLE GEAR 50/11 T	2	\$190.43
7	942-311	HEX. NUT M5	2	\$20.67
8	992-818	STARTER RELAY ASSEMBLY	1	\$199.75
9	945-831	LOCK WASHER A6	2	\$0.23
10	242-214	HEX. NUT M6	2	CALL

- Items not illustrated