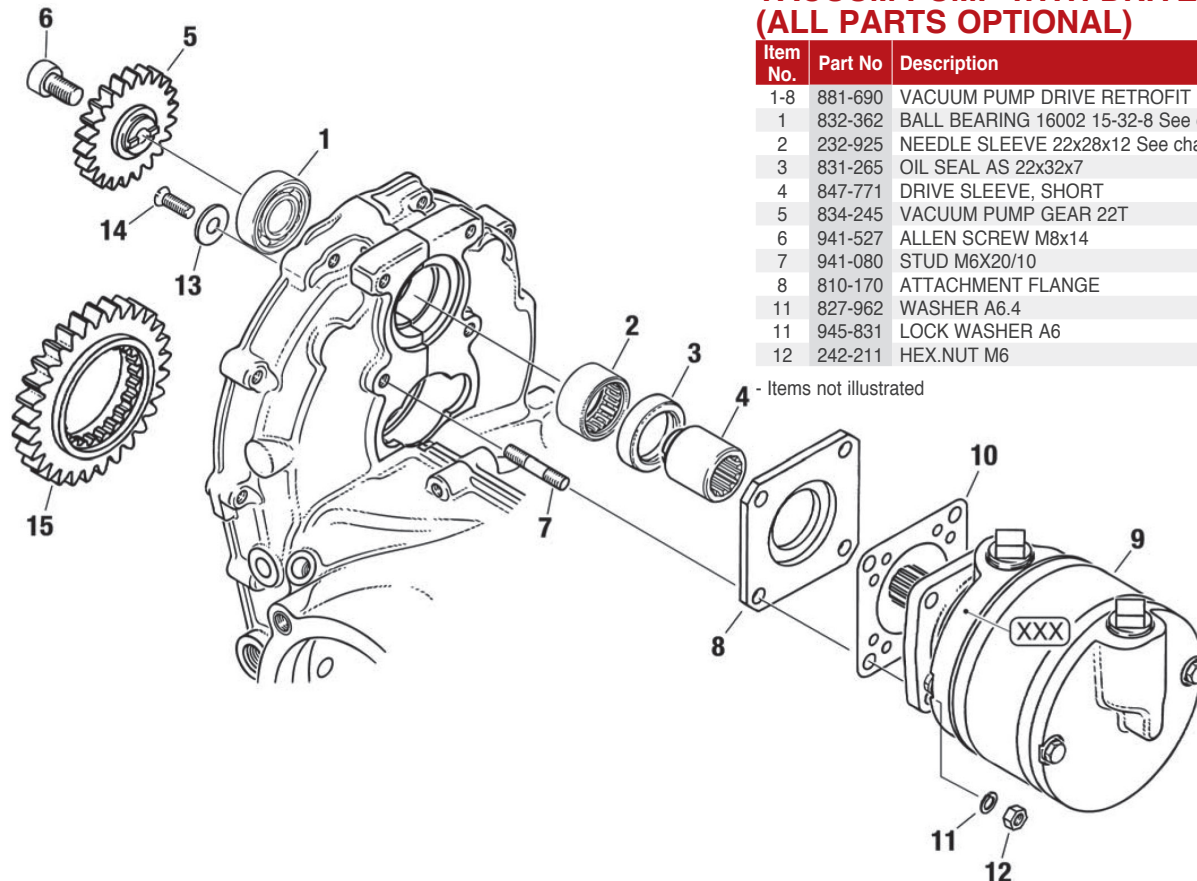
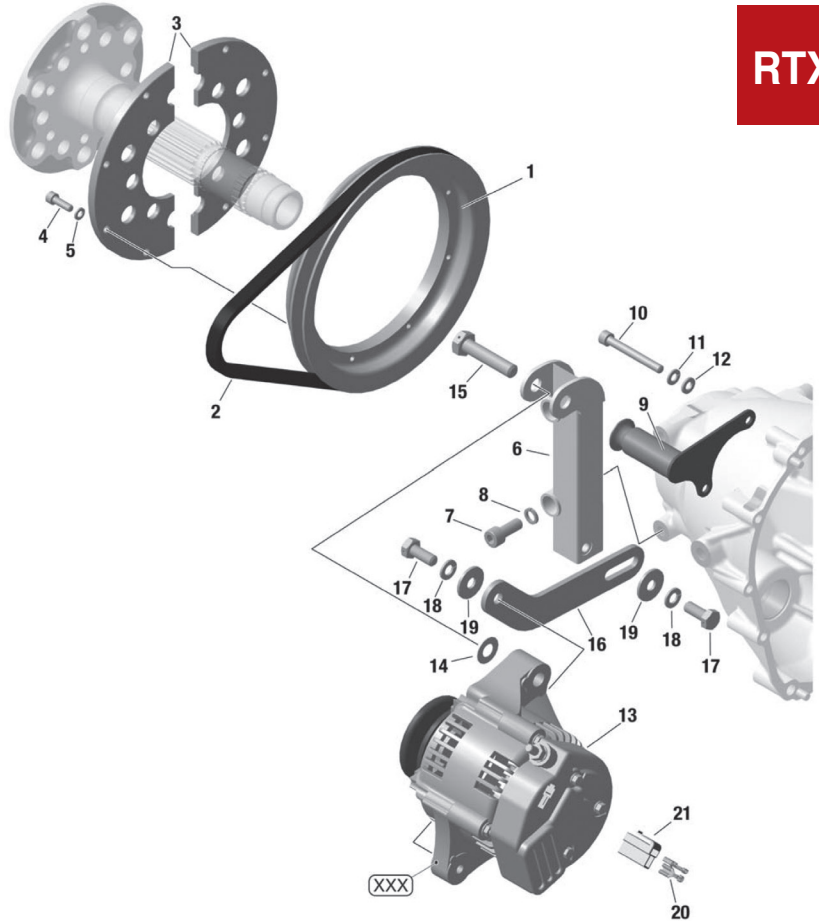


EXTERNAL GENERATOR F3A (ALL PARTS OPTIONAL)

Item No.	Part No	Description	Qty. Req.	Price
1-21	887-254	ALTERNATOR SET	1	\$1,644.50
1	980-590	V-BELT PULLEY	1	\$395.80
2	980-400	V-BELT 9.5X675	1	\$31.26
3	980-605	PULLEY CARRIER	2	\$127.31
4	840-514	ALLEN SCREW M5X16	8	\$0.53
5	945-750	LOCK WASHER A5	8	\$2.40
6	953-222	ALTERNATOR BRACKET ASSEMBLY	1	\$438.86
7	240-072	ALLEN SCREW M8X20	2	\$1.35
8	845-310	LOCK WASHER VHZ 8	2	\$0.41
9	953-232	ALTERNATOR SUPPORT ASSEMBLY	1	\$243.30
10	241-762	ALLEN SCREW M6X50	2	\$0.94
11	827-962	WASHER 6.4	2	\$0.31
11	945-831	LOCK WASHER A6	2	\$0.23
12	827-962	WASHER 6.4	2	\$0.31
13	887-251	ALTERNATOR F3A	1a	\$1,394.06
14	927-952	THRUST WASHER 10.1/20/0.5	1	\$4.78
15	941-636	HEX. SCREW M10X45	1	\$13.77
16	953-241	TENSION BAR	1	\$83.34
17	940-596	HEX. SCREW M8X2	2	\$11.47
18	945-832	LOCK WASHER A8	2	\$0.23
19	227-935	WASHER 8.4	2	\$1.76
20	864-011	FASTON CONNECTOR 6.3X0.8	2	\$1.23
21	265-255	CONNECTOR HOUSING 2-POLE	1	\$7.84

- Items not illustrated

a Marked with S/N



VACUUM PUMP WITH DRIVE (ALL PARTS OPTIONAL)

Item No.	Part No	Description	Qty. Req.	Price
1-8	881-690	VACUUM PUMP DRIVE RETROFIT KIT	AR	\$638.09
1	832-362	BALL BEARING 16002 15-32-8 See chapt. 61-20-00	1	\$41.13
2	232-925	NEEDLE SLEEVE 22x28x12 See chapt. 61-20-00	1	\$36.82
3	831-265	OIL SEAL AS 22x32x7	1	\$49.50
4	847-771	DRIVE SLEEVE, SHORT	1	\$324.97
5	834-245	VACUUM PUMP GEAR 22T	1	\$211.87
6	941-527	ALLEN SCREW M8x14	1	\$25.86
7	941-080	STUD M6X20/10	4	\$5.61
8	810-170	ATTACHMENT FLANGE	1	\$163.29
11	827-962	WASHER A6.4	4	\$0.31
11	945-831	LOCK WASHER A6	4	\$0.23
12	242-211	HEX.NUT M6	4	\$0.41

- Items not illustrated