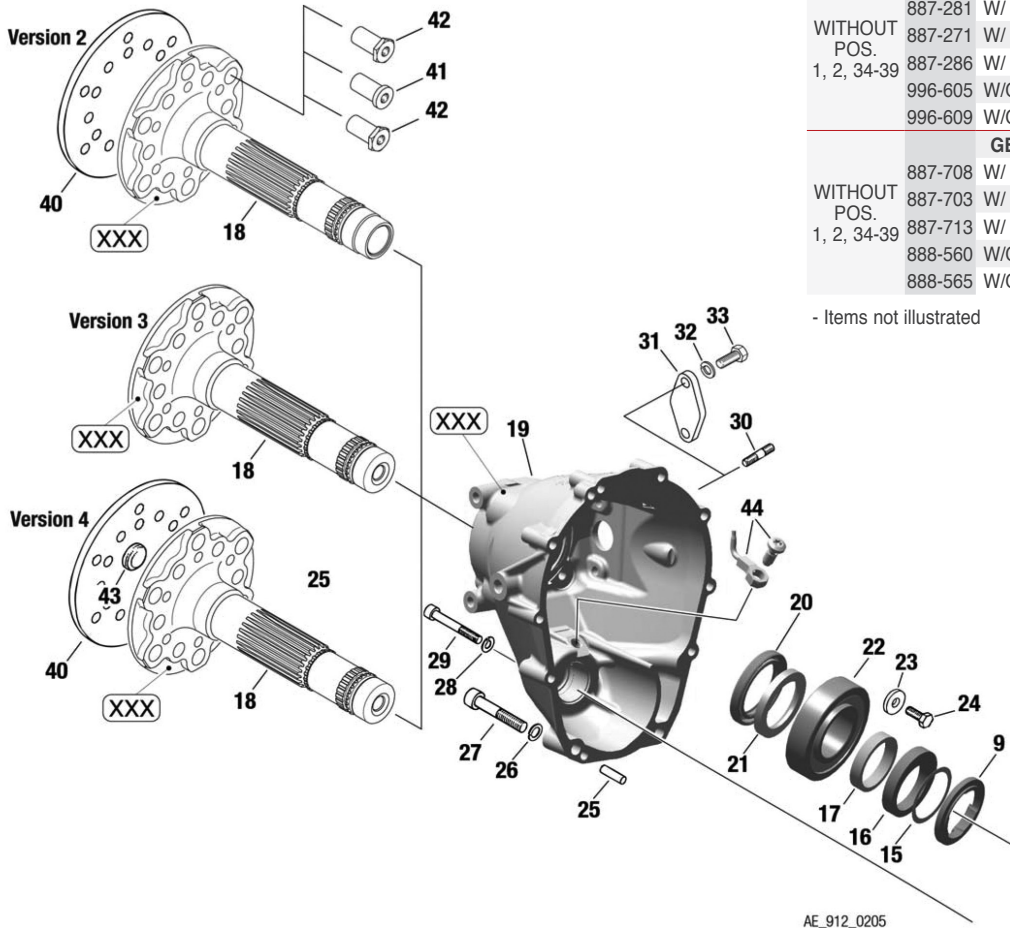


RTX



AE_912_0205

PROPELLER GEAR ASSEMBLY

Figure & Item No.	Part No	Description	Qty. Req.			Price
			912 UL	912 ULS	914 UL	
GEARBOX I = 2,27						
WITHOUT POS. 1, 2, 34-39	887-281	W/ CLUTCH 2.27-2	1Ap			\$4,111.05
	887-271	W/ CLUTCH 2.27-3	1Bp			\$4,034.45
	887-286	W/ CLUTCH 2.27-4	1Cp			\$4,111.05
	996-605	W/O CLUTCH 2.27-2	1Ap			\$2,933.58
	996-609	W/O CLUTCH 2.27-4	1Cp			\$2,933.58
GEARBOX I = 2,43						
WITHOUT POS. 1, 2, 34-39	887-708	W/ CLUTCH 2.43-3	1p	1Ep	1Ep	\$4,111.05
	887-703	W/ CLUTCH 2.43-2	1p	1Dp	1Dp	\$4,111.05
	887-713	W/ CLUTCH 2.43-4	1p	1Fp	1Fp	\$4,111.05
	888-560	W/O CLUTCH 2.43-2	1Dp	1Dp	1Dp	\$2,933.58
	888-565	W/O CLUTCH 2.43-4	1Fp	1Fp	1Fp	\$2,933.58

- Items not illustrated

PROPELLER GEAR ASSEMBLY

Item No.	Part No	Description	Qty. Req.			Price
			912 UL	912 ULS	914 UL	
1	842-579	HEX. NUT M30x1.5 12MM, LH	1	1	1	\$17.11
2	845-431	FRICTION WASHER VS30	1	1	1	\$9.66
2	845-430	FRICTION WASHER VS30	1	1	1	\$9.66
3	886-517	GEAR SET I 2.43 narrow	(1)h		1h	\$987.46
3	886-518	GEAR SET I 2.43 wide, 7°	1b	1b	1b	\$987.46
4	933-362	BUSHING 31x33x29.8	1	1	1	\$61.61
5	827-992	THRUST WASHER 33.2/51/1.2	1	1	1	\$69.26
6	834-232	DRIVE GEAR 29 T.	1	1	1	\$207.22
7-10	996-888	CLUTCH ASSY. RETROFIT KIT narrow	1f		1fh	\$1,021.49
7-10	996-889	CLUTCH ASSY. RETROFIT KIT wide, 7°		1g	1gb	\$1,298.71
7	926-035	RING HALF	2	2	2	\$43.94
8	996-885	OVERLOAD CLUTCH ASSY. narrow	(1)m	1fhm	1fhm	\$1,021.49
8	996-910	OVERLOAD CLUTCH ASSY. wide, 7°	1gm	(1)gm	(1)gm	\$1,527.08
9	847-787	STEP COLLAR	1p	1p	1p	\$51.75
10	838-216	DISK SPRING B80, 80x41x3	3	3	3	\$23.58
11	958-891	DOG HUB narrow	1fl		1fl	\$393.71
11	958-893	DOG HUB wide, 7°	1gl	1gl	1gl	\$393.71
12	847-786	STEP COLLAR	2	2	2	\$51.75
13	838-216	DISK SPRING B80, 80x41x3	2	2	2	\$23.58
14	847-689	SPACER 35.2/42/6	1	1	1	\$45.27
15	927-401	SHIM 35.4/43/0.2	AR	AR	AR	\$2.66
15	927-402	SHIM 35.4/43/0.5	AR	AR	AR	\$2.66
15	927-403	SHIM 35.4/43/1.0	AR	AR	AR	\$3.02
16	848-225	ECCENTER	1	1	1	\$95.88
17	847-687	SPACER 35.2/42/8	1	1	1	\$44.24
18	837-037	PROPELLER SHAFT SEALED	1e	1e	1e	CALL
18	837-035	PROPELLER SHAFT	1d	1d	1d	CALL
18	937-036	PROPELLER SHAFT	1c	1c	1c	\$894.02
19	811-957	GEAR COVER ASSEMBLY	1np	1np	1np	CALL

Item No.	Part No	Description	Qty. Req.			Price
			912 UL	912 ULS	914 UL	
20	950-470	OIL SEAL AS 40x55x7	1	1	1	\$67.44
21	926-022	SPACER RING 36/50/5.5	1	1	1	\$34.86
22	832-578	BALL BEARING 6207E TN6, 35-72-17	1	1	1	\$127.13
23	944-320	WASHER 7.2/18.8/3	4	4	4	\$3.12
24	941-760	HEX. SCREW M7x16	4	4	4	\$1.40
25	429-230	DOWEL 6x20	2	2	2	\$2.50
26	944-131	WASHER 8	2q	2q	2q	\$1.26
27	841-562	ALLEN SCREW M8x45	2q	2q	2q	\$4.43
27	841-561	ALLEN SCREW M8x45	2q	2q	2q	\$0.92
27	940-077	HEX./TORX SCREW M8x45	2	2	2	\$4.43
28	827-962	WASHER A6.4	8	8	8	\$0.31
28	945-751	LOCK WASHER A6	8	8	8	\$0.21
29	241-823	ALLEN SCREW M6x45	8	8	8	\$0.72
30	940-361	STUD M8x23/14	2	2		\$4.06
31	926-151	COVER			1	\$26.10
32	945-832	LOCK WASHER A8	2	2	2	\$0.23
33	940-592	HEX. SCREW M8x20			2k	\$1.35
34	950-200	OIL SEAL 30x52x7	1	1	1	\$100.47
35	430-175	O-RING 46x3	1	1	1	\$14.36
36	810-301	OIL INLET FLANGE	1	1	1	\$189.14
37	810-306	OIL INLET COVER	1	1	1	\$68.66
38	232-241	ROLLER BEARING NJ 205 ECP C3	1	1	1	\$102.00
39	945-820	RETAINING RING 52x2	1	1	1	\$4.54
40	827-837	COVER DISK	AR	AR	AR	\$104.11
41	842-634	ROUND-NECK NUT SET M8	1i	1i	1i	\$56.74
42	842-638	ROUND-NECK NUT SET 5/16-24 UNF	1i	1i	1i	\$196.28
42	842-639	ROUND-NECK NUT SET 5/16-20 UNF	1i	1i	1i	\$64.34
43	244-980	SEALING COVER	1	1	1	\$4.99
44	456-520	OIL SPRAY NOZZLE ASSEMBLY	1p	1p	1p	CALL