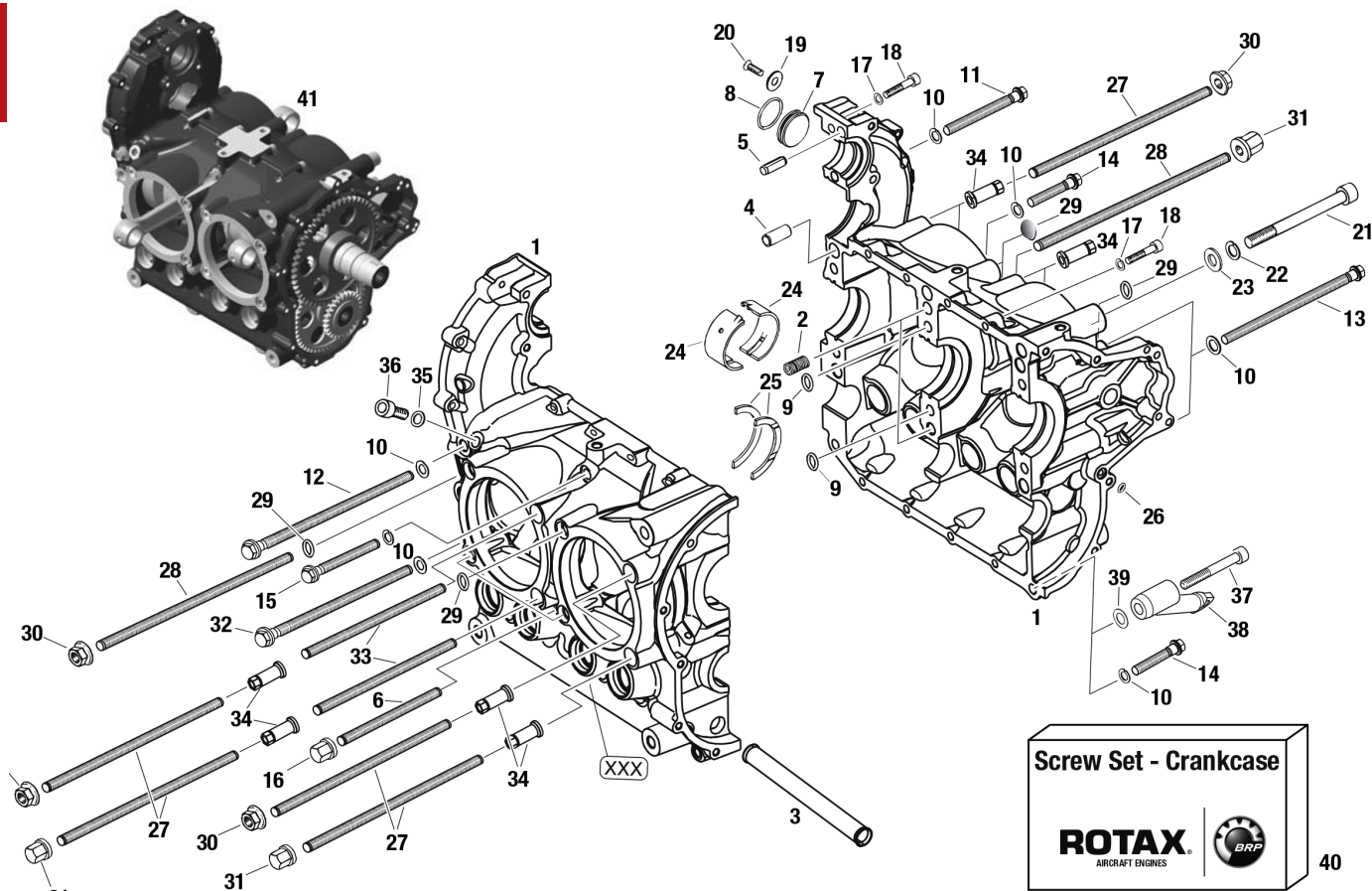


RTX



CRANKCASE - FROM S/N 06.0010 UP TO 14.2384

Item No.	Part No	Description	Qty. Req.			Price	Item No.	Part No	Description	Qty. Req.			Price
			912 UL	912 ULS	914 UL					912 UL	912 ULS	914 UL	
3	924-451	OIL TUBE	1	1	1	\$15.28	32	440-686	HEX. COLLAR SCREW M8x130	1	1	1	\$12.74
4	929-951	DOWEL 10.8x25	5	5	5	\$9.52	33	840-131	STUD M8x138	2	2	2	\$6.93
5	929-845	PIN D8x20	1	1	1	\$7.73	34	929-116	THREAD SLEEVE M8	8	8	8	\$36.80
6	840-191	STUD M8x105	1	1	1	\$12.83	35	950-141	GASKET RING A 8x13	1	1	1	\$1.30
7	944-222	BLINDING SHIM	1b	1b	1b	\$13.78	36	240-072	ALLEN SCREW M8x20	1	1	1	\$1.23
8	430-061	O-RING 26.7x1.8	1b	1b	1b	\$5.57	37	440-107	ALLEN SCREW M8x50	1f	1f	1f	\$1.99
9	850-902	O-RING 9x2	2	2	2	\$10.00	39	926-400	WASHER 8.4/15/0.5			AR	\$3.17
10	944-131	WASHER 8	8f	8f	8f	\$1.26	39	926-401	WASHER 8.4/15/1			AR	\$3.37
11	840-061	ALLEN SCREW M8x80	1	1	1	\$10.90	39	926-402	WASHER 8.4/15/1.5			AR	\$3.61
12	840-091	HEX.COLLAR SCREW M8x140-SW10	1	1	1	\$13.14	40	881-120	SCREW SETCRANKCASE	1f	1f	1f	\$283.17
13	840-101	HEX.COLLAR SCREW M8x150-SW10	2	2	2	\$8.37	41	300091401	ENGINE BLOCK	1		1	\$15,242.34
14	940-071	HEX.COLLAR SCREW M8x45-SW10	2	2	2	\$5.24	- Items not illustrated						
15	440-406	HEX.COLLAR SCREW M8x65-SW10	1	1	1	\$10.69	a	marked with S/N					
16	842-476	COLLAR CAP NUT M8	1	1	1	\$21.34	b	Only for model 2 and 4					
17	827-962	WASHER 6.4	9	9	9	\$0.31	c	Tolerance group „C“ 1.820 - 1.829 mm					
17	945-751	LOCK WASHER A6	9	9	9	\$0.21	d	Tolerance group „D“ 1.830 - 1.839 mm					
18	840-887	ALLEN SCREW M6x30	9	9	9	\$0.69	e	depending on configuration use 14 studs part no. 840752 M8x201 or 8 studs M8x201 and 6 studs part no. 840754 M8x210.					
19	227-280	THRUST WASHER	1	1	1	\$7.65	f	see Overhaul Manual of the respective engine type, current issue.					
20	940-315	COUNTERSUNK SCREW M5x12	1	1	1	\$0.57	g	only for use with new cylinders 913221 with countersunk. With the cylinder 913225 the countersunk was already introduced starting from beginning of the production.					
21	941-487	ALLEN SCREW M10x110	1	1	1	\$6.61	h	following Service Instruction has to be noticed: SI-912-019 current issue SI-914-021					
21	941-557	ALLEN SCREW M10x150	(1)	(1)		\$10.31	i	431570 introduced as per engine S/N as follows: 912 UL: S/N 06,770.893 914 UL: S/N 07,682.596 912 A: S/N 04,410.977 912 S: S/N 04,924.497 912 F: S/N 04,413.018 912 ULS: S/N 06,781.191 914 F: S/N 04,421.110					
22	945-833	LOCK WASHER A10	1	1	1	\$0.34	j	Wrench size A/F 11					
23	927-411	WASHER 10.5	1	1	1	\$0.63							
24	933-870	PLAIN BEARING "C"	6cf	6cf	6cf	\$90.76							
24	933-871	PLAIN BEARING "D"	6df	6df	6df	\$88.98							
25	933-335	RING HALF	2	2	2	\$58.75							
26	831-929	O-RING 5x2	1	1	1	\$4.54							
27	840-141	STUD M8x186	8	8	8	\$9.73							
28	840-171	STUD M8x200	8	8	8	\$9.73							
29	431-570	O-RING 10.82x1.78	8i	8i	8i	\$0.66							
29	431-411	GASKET	ARh	ARh	ARh	\$9.52							
30	842-610	HEX. NUT M8	8	8	8	\$4.37							
30	942-301	COLLAR NUT M8	8j	8j	8j	\$4.37							
31	842-471	COLLAR CAP NUT M8	8	8	8	\$21.34							
31	842-476	COLLAR CAP NUT M8	8j	8j	8j	\$21.34							