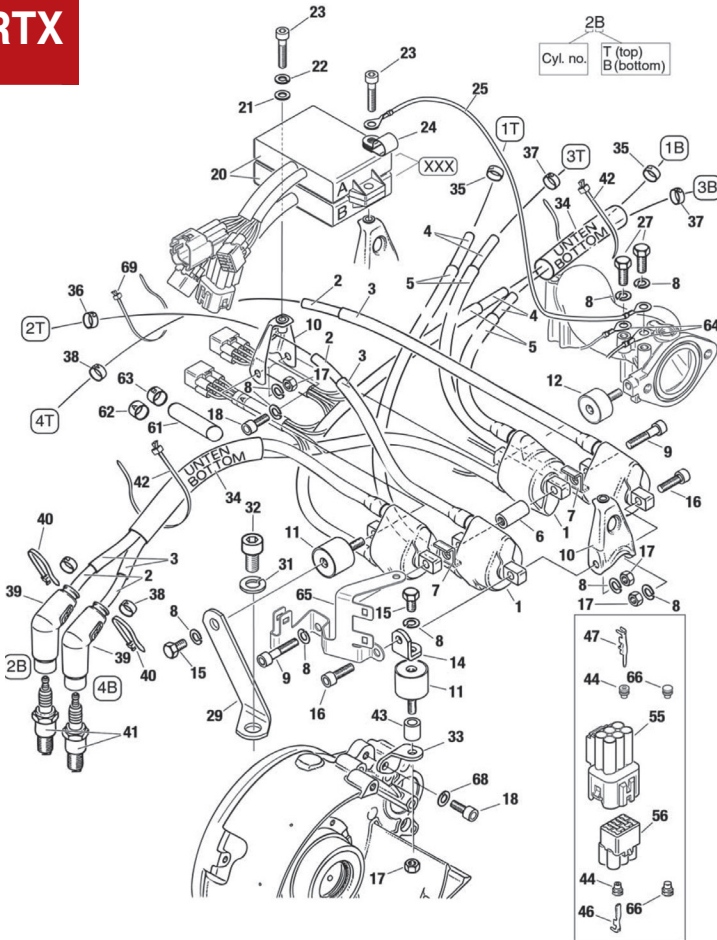


RTX

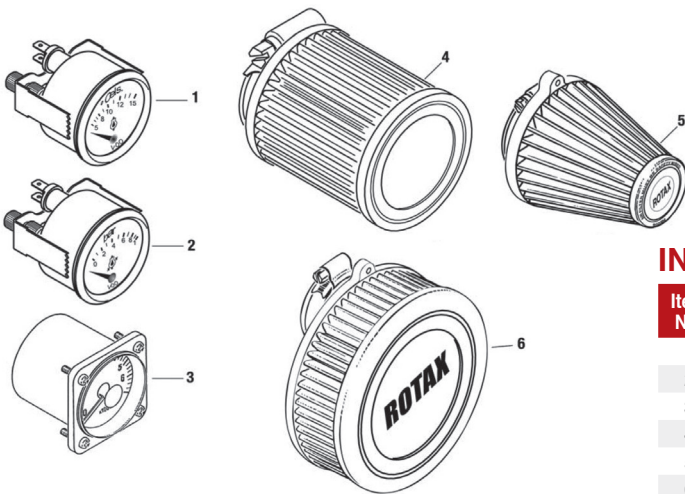


Item No.	Part No	Description	Qty. Req.			Price
			912 UL	912 ULS	914 UL	
57	265-204	CONNECTOR HOUSING 1-POLE	AR	AR	AR	\$13.27
58	265-207	CONNECTOR HOUSING 1-POLE	AR	AR	AR	\$10.04
59	960-260	SHRINK TUBE COATED		ARI		\$106.02
60	960-300	SHRINK TUBE COATED 48/16		ARk		\$108.48
62	960-010	SHRINKABLE HOSE IMPRINTED A	1	1	1	\$8.93
63	960-015	SHRINKABLE HOSE IMPRINTED B	1	1	1	\$8.93
64	965-782	MASS CABLE ASSEMBLY	2	2	2	\$71.20
64	965-784	MASS CABLE ASSEMBLY	2m	2m	2m	\$22.70
65	853-125	CONNECTOR BRACKET	1m	1m	1m	\$66.24
66	260-135	DUMMY PLUG	1m	1m	1m	\$1.84
67	881-280	SOFT START SET	1q	1q	1q	\$1,865.16
68	827-962	WASHER 6.4	1	1	1	\$0.31
68	945-831	LOCK WASHER A6	1	1	1	\$0.23
69	866-714	TIE WRAP 142x3,2MM	2r	2r	2r	\$0.35
-	964-081	EASY START UNLOCK	1	1		\$89.95

- Items not illustrated

- a In a roll, Ignition cable 620 mm;
- b In a roll, Protection hose 560 mm
- c In a roll, Protection hose 500 mm
- d In a roll, Protection hose 450 mm
- e Not necessary at intake manifold part no. 867688;
- f Marked with S/N;
Introduced as per S/N as follows: 04.0388 with altered insulation only for spare parts
- g for crankcase part no. 886354, part no. 886358 and older;
- h At crankcase part no. 888364 or newer crankcase;
- i Not suitable for intake manifold part no. 867688;
- j Necessary at version with ring mount;
- k In a roll
- l Use part no. 842742 and 953390 only together;
- m SI-912-013 / SI-914-016 current issue
See Maintenance Manual Heavy of the respective engine type, current issue.
- n In a roll, silicone hose 120 mm
- o SI-912-020 / SI-914-022 current issue
- p 1x lock washer A6 part no. 945751 is not needed after production-year 2010 on position between the bracket 2 part no. 851267 and the hex. nut M6.
- q Without magneto wheel consisting of 20, 21, 22, 23, 44, 46
- r Required for the following cylinders: 413235 / 413236 / 413245 / 413246 / 413185 / 413195. Danger of abrasion!
- s Short lines connected with 965-359 and 965-446. Length = 85 mm (instead of 70 mm).

Chapter Includes Only
Not Certified Parts



INSTRUMENTS, AIR FILTER

Item No.	Part No	Description	Qty. Req.			Price
			912 UL	912 ULS	914 UL	
1	956-525	TEMPERATURE GAUGE 50 - 150 DEG.	(1a)	(1a)	(1a)	\$366.69
2	956-520	PRESSURE GAUGE 0-146 PSI	(1b)	(1b)	(1b)	\$366.69
3	966-408	REV COUNTER 0-7000 1/MIN	(1c)	(1c)	(1c)	\$276.57
4	825-750	AIR FILTER			(1)	\$68.88
5	825-551	AIR FILTER	(2)	(2)		\$33.96
6	825-711	AIR FILTER	(2d)	(2d)		\$45.36

- Items not illustrated

- a For oil temperature and / or cylinder head temperature
- b For oil pressure; for old VDO sensor, not usable with part no. 456-180
- c For engine speed;
- d Following Service Instruction has to be noticed
SI-912-017 current issue

