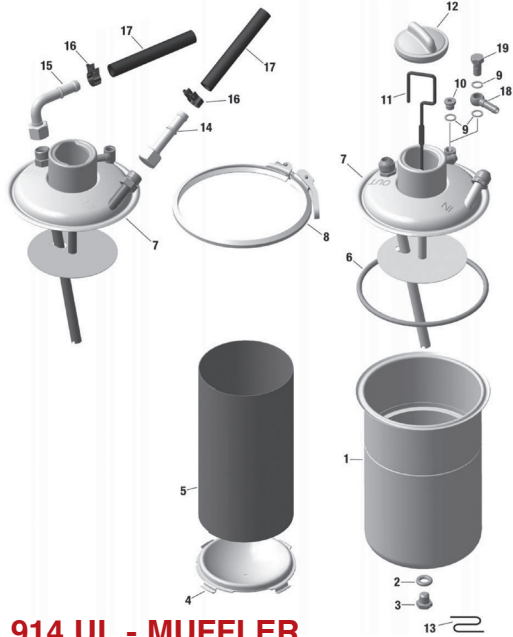


RTX



OIL TANK

Item No.	Part No	Description	Qty. Req.			Price
			912 UL	912 ULS	914 UL	
1-1	956-503	OIL TANK ASSY. METRIC M18x1.5	1	1	1	\$754.50
1-12	656-865	OIL TANK ASSY. METRIC M18x1.5	1	1	1	\$811.91
1-12	656-860	OIL TANK ASSY. UNF 3/4-16	1	1	1	\$827.13
2	250-010	GASKET RING C 12x18	1	1	1	\$1.71
3	241-408	HEX. SCREW M12x12	1	1	1	\$43.71
5	956-204	BAFFLE INSERT	1	1	1	\$67.19
6	850-491	O-RING 145x6	1	1	1	\$31.55
8	951-817	PROFILE CLAMP 163	1	1	1	\$72.58
9	230-150	SEALING RING A 10x14	1	1	2	\$1.09
10	641-733	PLUG SCREW M10x1	1	1		\$10.70
11	956-151	OIL DIPSTICK	1a	1a	1a	\$18.68
12	974-647	OIL TANK COVER, WITHOUT VENTING	1	1	1	\$32.15
13	297-555	SAFETY WIRE 0.8	AR	AR	AR	CALL
14	956-610	HOSE NIPPLE WITH UNION NUT	1c	1c	1c	\$20.91
15	956-580	BENT SOCKET	1c	1c	1c	\$20.92
16	853-726	CLAMP MINI 16 W1	4	4	4	\$4.95
17	956-390	OIL TUBE OLSN 1 12x19	ARb	ARb	ARb	\$85.86
18	956-314	HOSE NIPPLE 4/6			1	\$23.81
19	940-874	BANJO BOLT M10x1x19			1	\$13.99

- Items not illustrated

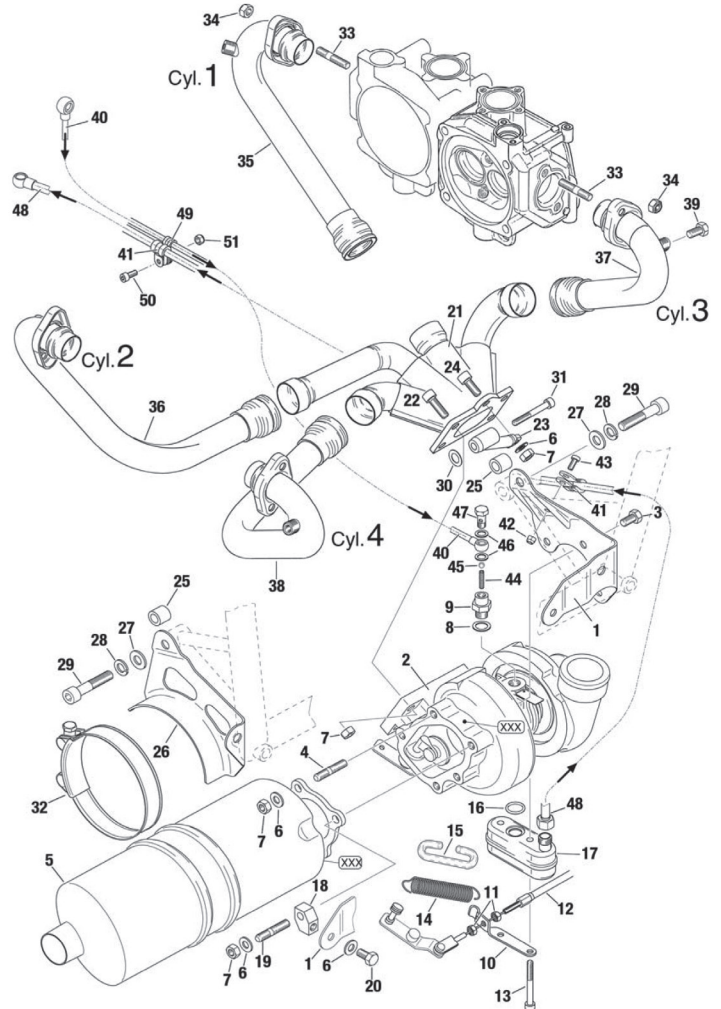
a See SB-912-040, SB-914-026 current issue

b In a roll

c with metric connection thread M18x1.5

ROTAX 914 UL - MUFFLER, TURBOCHARGER, OIL SUMP CONTAINER

Item No.	Part No	Description	Qty. Req.	Price
1	851-294	TURBO BRACKET	1	\$231.42
2-4	887-129	TURBOCHARGER ASSEMBLY	1agh	\$5,784.68
3	940-583	HEX. SCREW M8x16 STAINLESS	4	\$3.19
4	940-173	STUD M8x19.5/13	4b	\$7.05
5	979-407	MUFFLER ASSEMBLY STAINLESS	1af	\$1,726.62
6	250-313	WASHER 8.4 STAINLESS	7	\$1.23
7	242-203	HEX. NUT M8 STAINLESS	10	\$1.69
8	250-640	GASKET A 12x18-CU	1	\$1.92
9	956-486	VALVE HOUSING	1	\$77.06
10	851-392	CABLE SUPPORT	1	\$102.25
11	242-211	HEX. NUT M6	2	\$0.41
13	640-600	HEX. SCREW M6x55	2	\$8.18
14	838-232	TENSION SPRING STAINLESS	1	\$13.65
15	960-080	SILICONE TUBE 5x8	ARc	\$40.01
16	430-225	O-RING 15.9-2.3	1	\$8.71
17	956-495	OIL SUMP ASSEMBLY	1	\$207.97
18	953-280	SUPPORT PLATE	1	\$65.96
19	641-343	STUD M8x30/13	1a	\$8.71
20	940-583	HEX. SCREW M8x16 STAINLESS	1	\$3.19
21	979-416	EXHAUST MANIFOLD ASSEMBLY STAINLESS	1f	\$1,155.77
22	240-083	ALLEN SCREW M8x25 STAINLESS	4	\$3.17
23	953-303	MANIFOLD BRACKET ASSEMBLY STAINLESS	1	\$253.70
24	240-073	ALLEN SCREW M8x20 STAINLESS	1	\$1.61
25	847-841	SPACER 10.5/17/15	2	\$9.61
26	851-303	EXHAUST BRACKET	1	\$287.20
27	927-411	WASHER 10.5	2	\$0.63
28	945-833	LOCK WASHER A10	2	\$0.34
29	640-572	ALLEN SCREW M10x50	2	\$3.73
32	851-312	CLAMP 120	1	\$82.84
35	979-427	EXHAUST PIPE ASSEMBLY CYLINDER	1e	\$651.06
36	979-437	EXHAUST BEND CYLINDER 2 STAINLESS	1e	\$651.06
37	979-447	EXHAUST BEND CYLINDER 3 STAINLESS	1e	\$667.74
38	979-457	EXHAUST BEND CYLINDER 4 STAINLESS	1e	\$719.50
39	841-113	HEX. SCREW M8x1x10	4	\$18.52
40	956-476	TURBO PRESSURE OIL LINE	1	\$194.33
41	851-111	CABLE CLAMP 8/M5	2	\$12.46
42	942-021	LOCK NUT M5	1	\$1.17
43	241-842	ALLEN SCREW M5x12	1	\$0.76
44	239-131	COMPRESSION SPRING 22,0	1	\$5.33
45	232-440	BALL 5.556 MM	1	\$0.66
46	950-141	GASKET RING A 8x13	2	\$1.30
47	840-730	BANJO BOLT M8x1x17	1d	\$53.95
48	956-470	TURBO OIL SUCTION LINE	1	\$165.39
49	851-116	CABLE CLAMP 5/M5	2	\$13.27
50	241-842	ALLEN SCREW M5x12	2	\$0.76
51	942-021	LOCK NUT M5	2	\$1.17



- Items not illustrated

a Marked with S/N;

b Stainless

c In a roll, Tube 125 mm (4.92 in.)

d With imprinting "oil";

e See Service Instruction SI-914-022 current issue

f With additional internal bracket from engine S/N 914 F: 4,420,437

g With lubrication hole for waste gate shaft