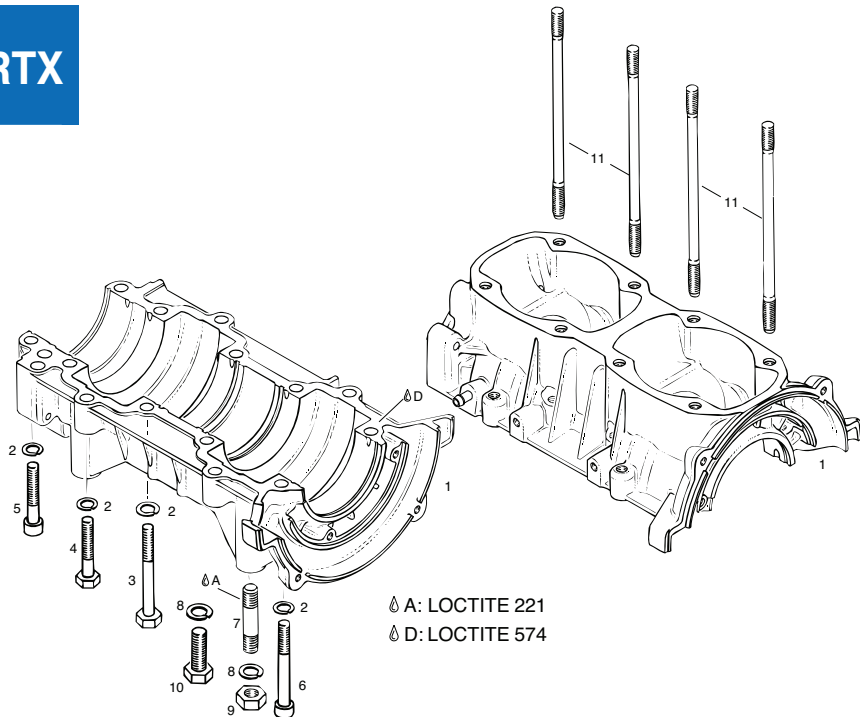




RTX



Δ A: LOCTITE 221  
 Δ D: LOCTITE 574

## CRANKCASE

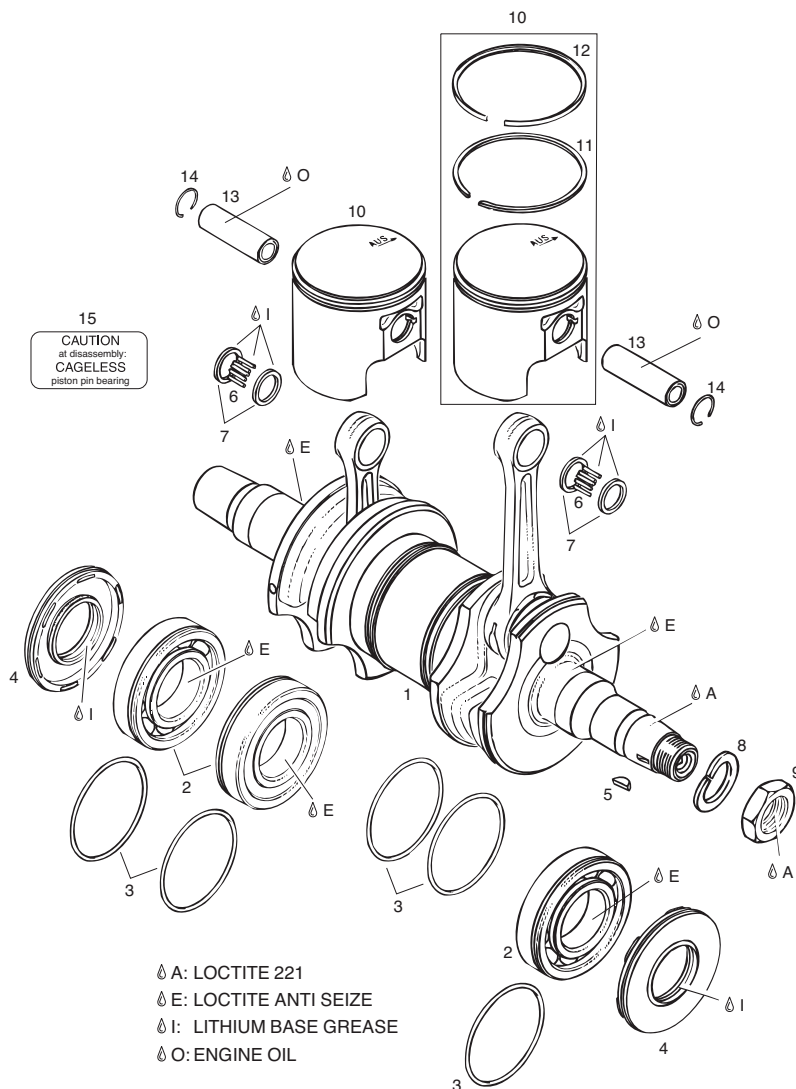
Item No.	Part No	Description	Qty. Req.	Price
1-6	887-796	CRANKCASE ASSEMBLY	1a	\$1,228.76
2	945-752	LOCK WASHER A8	14	\$0.21
3	841-201	HEX. SCREW M8X70	6	\$2.76
4	940-631	HEX. SCREW M8X45 DIN 931	4	\$1.76
5	640-611	ALLEN SCREW M8X45	2	\$1.79
6	841-841	ALLEN SCREW M8X65 DIN 912	2	\$2.40
7	940-190	STUD M10X29/20	4	\$4.78
8	945-753	LOCK WASHER A10	4	\$0.31
9	242-091	HEX.NUT M10	4	\$1.26
10	940-326	HEX. SCREW M10X30	4	\$1.97
11	840-556	STUD M8X173.5	8	\$19.29

a from engine S/N: 4,795.397

## CRANKSHAFT, MAIN BEARINGS, PISTONS

Item No.	Part No	Description	Qty. Req.	Price
1-7	996-441	CRANKSHAFT ASSEMBLY	1	\$1,178.85
2	832-236	B. BEARING 6207N TNH C3 35-72-17	3	\$83.32
3	250-165	O-RING 64-2	5	\$5.33
4	831-950	OIL SEAL 35X72X7/8.5	2	\$39.33
5	246-055	WOODRUFF KEY 3X3,7 DIN 6888	1	\$3.73
6-7	832-320	CAGEL. NEEDLE BEARING 18X22X23	2	\$56.97
7	827-465	THRUST WASHER 18/21, 7/2, 5	4	\$23.17
8	945-759	LOCK WASHER 22	1	\$1.76
9	842-239	HEX. NUT M22X1.5	1	\$12.83
10-12	996-246	PISTON ASSEMBLY 72,18/72,19 MM	2b	\$218.95
10-12	996-247	PISTON ASSEMBLY 72,43/72,44 MM	2c	\$218.95
11	915-850	RECTANGULAR RING 72.00 MM	2d	\$55.44
11	915-851	RECTANGULAR RING 72.25 MM	2e	\$58.24
11	915-852	RECTANGULAR RING 72.50 MM	2f	\$58.24
12	215-235	SEMI-TRAPEZ RING 72.00 MM	2d	\$84.84
12	215-236	SEMI-TRAPEZ RING 72.25 MM	2e	\$90.16
12	215-237	SEMI-TRAPEZ RING 72.50 M	2f	\$90.16
13	916-186	PISTON PIN 18X11X58.7	2	\$50.69
14	945-735	CIRCLIP 18	4g	\$0.48
15	897-280	CAGELESS-LABEL	1	\$1.76

- a with 2 rings, standard
- b with 2 rings, 1st oversize
- c with 2 rings, 2nd oversize
- d Standard Size
- e 1st oversize
- f 2nd oversize
- g NOTICE use only once!



Δ A: LOCTITE 221  
 Δ E: LOCTITE ANTI SEIZE  
 Δ I: LITHIUM BASE GREASE  
 Δ O: ENGINE OIL