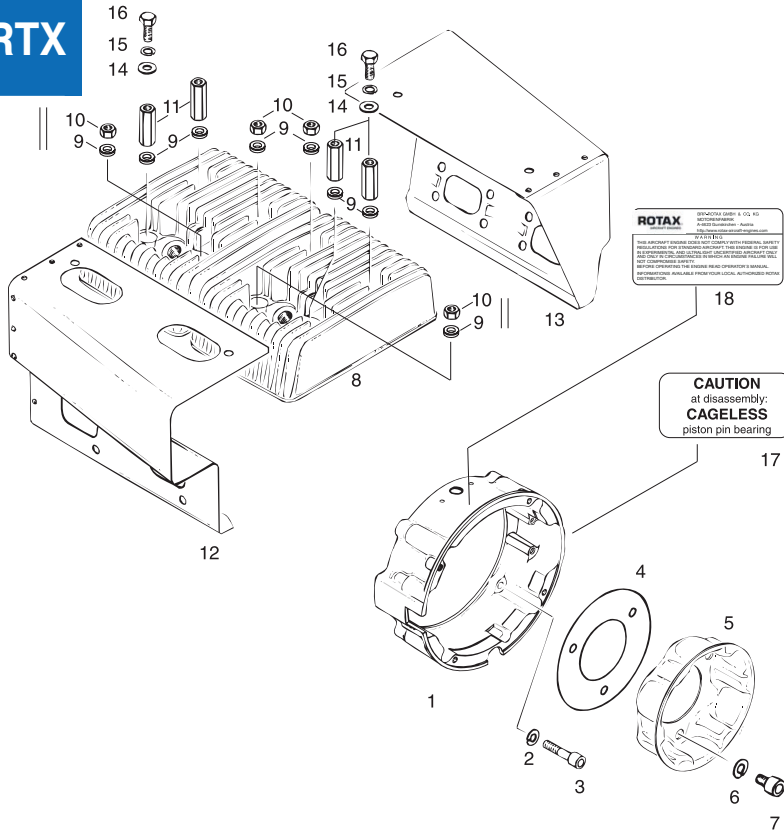




RTX



IGNITION HOUSING, AIR GUIDES, FOR CONFIGURATION: FREE AIR COOLED

Item No.	Part No	Description	Qty. Req.	Price
1	910-418	IGNITION HOUSING E.,	1a	\$343.89
2	945-751	LOCK WASHER A6 DIN 128	4	\$0.21
3	840-880	ALLEN SCREW M6X30 DIN 912	4	\$0.57
4	827-286	PLUG WASHER 55/107	1	\$35.01
5	852-412	STARTING PULLEY	1	\$40.60
6	845-310	LOCK WASHER VHZ 8	3	\$0.41
7	841-520	ALLEN SCREW M8X12	3	\$1.35
8	823-668	CYLINDER HEAD	2	\$540.26
9	847-475	CONE SLEEVE 8,4/15/4	8	\$7.80
10	242-209	HEX. NUT M8 DIN 934	4	\$0.56
11	842-050	DISTANCE NUT M8X37	4	\$56.75
12	910-727	AIR GUIDE ASSEMBLY	1b	\$427.75
13	910-707	AIR GUIDE ASSEMBLY	1c	\$427.75
14	250-311	WASHER 8,4 DIN 125	4	\$0.41
15	945-752	LOCK WASHER A8	4	\$0.21
16	940-580	HEX. SCREW M8X16	4	\$1.09
17	897-280	CAGELESS LABEL	AR	\$1.76
18	897-501	RED WARNING LABEL	AR	\$6.61

- a for E-starter position 93 or 183 degr.
- b air guide, carburetor side
- c air guide, exhaust side

OIL PUMP, OIL PUMP DRIVE

Item No.	Part No	Description	Qty. Req.	Price
2	886-096	OIL PUMP ASSEMBLY	1e	\$298.85
3	927-945	WASHER 6, 2/12/1	2	\$1.54
4	935-930	OIL PUMP GEAR 27 T.,	1	\$15.58
5	842-042	LOCK NUT M6	1	\$2.66
6	841-971	PLASTITE SCREW 5, 5X16	2	\$1.85
7	832-260	NEEDLE PIN B4X17, 8	1	\$1.57
8	244-073	WASHER 4.3	1	\$0.21
9	935-970	GEAR 9 T.	1	\$18.30
9	935-972	GEAR 9 T.	1a	\$18.30
10	941-925	TAPTITE SCREW M5X16	4	\$1.26
11	945-530	FRICTION WASHER A 5, 3	4	\$0.57
12	227-500	GASKET RING 6, 2/12/1	4	\$1.45
13	956-010	CHECK VALVE ASSEMBLY	2	\$24.36
14	241-830	BANJO BOLT M6X16	2	\$6.97
15	960-040	OIL LINE 335 MM	ARbc	\$7.50
16	960-040	OIL LINE 380 MM	ARbd	\$7.50
17	960-040	OIL LINE 300 MM	ARbd	\$7.50
18	960-700	RUBBER RING 7X1, 5X5	2	\$1.51
19	853-840	CLAMP 3-5 MM	4	\$2.28

- a For electric starter configuration magneto-side or pto side.
- b in a roll
- c for 1-carburetor version
- d for 2-carburetor version
- e retrofitable from engine S/N: 4,103.549

