

# 2 STROKE STARTERS

## ROTAX 503, 582 UL 99/17 REWIND STARTER

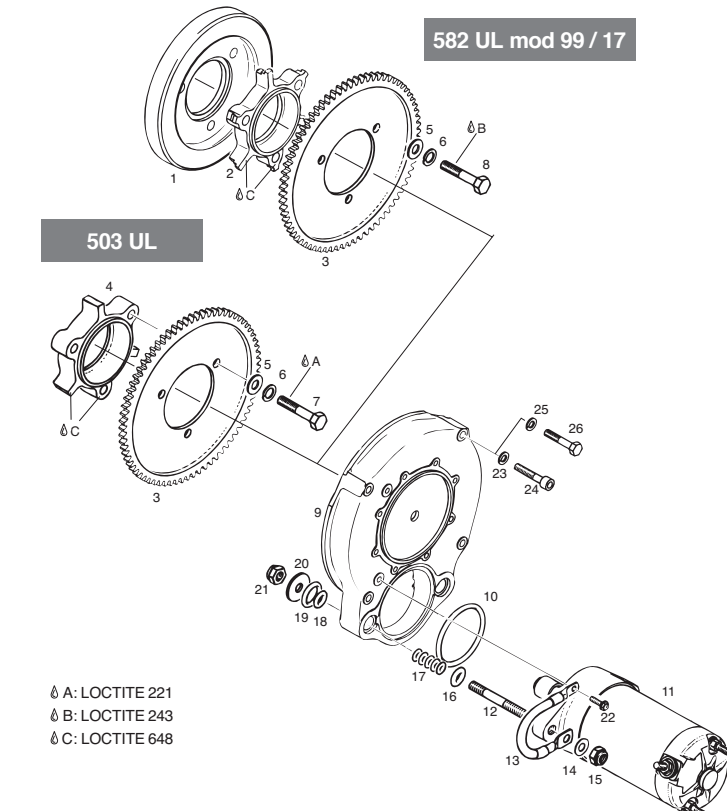
Item No.	Part No	Description	Qty. Req.		Price
			503	582	
1-12	995-583	REWIND STARTER ASSEMBLY	1d		\$400.06
2	939-078	REWIND SPRING ASSEMBLY	1		\$49.74
3	852-283	ROPE SHEAVE	1		\$78.91
4	852-094	STARTER ROPE 5.5X30000	NBf		\$106.51
5	852-070	KEY CLAMP	1		\$4.37
6	852-290	PAWL	1		\$26.50
7	852-305	PAWL LOCK	1		\$15.54
8	845-300	RETAINING RING 15	1		\$2.28
9	938-986	LOCKING SPRING	1		\$6.46
10	945-770	SNAP RING AV 17	1		\$1.35
11	960-415	RUBBER BUFFER	1	1	\$10.45
12	852-177	STARTER GRIP	1	1	\$29.59
13	945-751	LOCK WASHER A6 DIN 128	4	4	\$0.21
14	241-236	ALLEN SCREW M6X16	4	4	\$0.66
11,12, 15-25	892-800	REWIND STARTER SET	1eg		\$317.57
11,12, 15-25	892-802	REWIND STARTER SET	1dg		\$337.17
15	910-251	STARTER HOUSING	1		\$110.17
16	939-115	REWIND SPRING	1		\$49.74
17	852-286	ROPE SHEAVE	1g		\$68.18
19	852-630	PAWL	1		CALL
20	852-304	PAWL LOCK	1		CALL
21	847-926	STEP COLLAR	1		\$13.79
22	250-400	O-RING 12X3.5	1		\$3.32
23	852-520	LOCK LEVER	1		\$4.21
24	845-560	LOCKING ELEMENT	1		\$2.40
25	852-094	STARTER ROPE 5.5X30000	NBf		\$106.51
26	810-866	CONNECTING FLANGE	1		\$106.40
27	241-231	ALLEN SCREW M6X16	4		\$1.40
28	941-256	TAPTITE SCREW M6X20 T	4		\$2.04

- Items not illustrated

- a starter rope 1700 mm
- b starter rope 2600 mm
- c starter rope 3200 mm
- d starter rope 3700 mm
- e starter rope 2200 mm
- f in a roll.

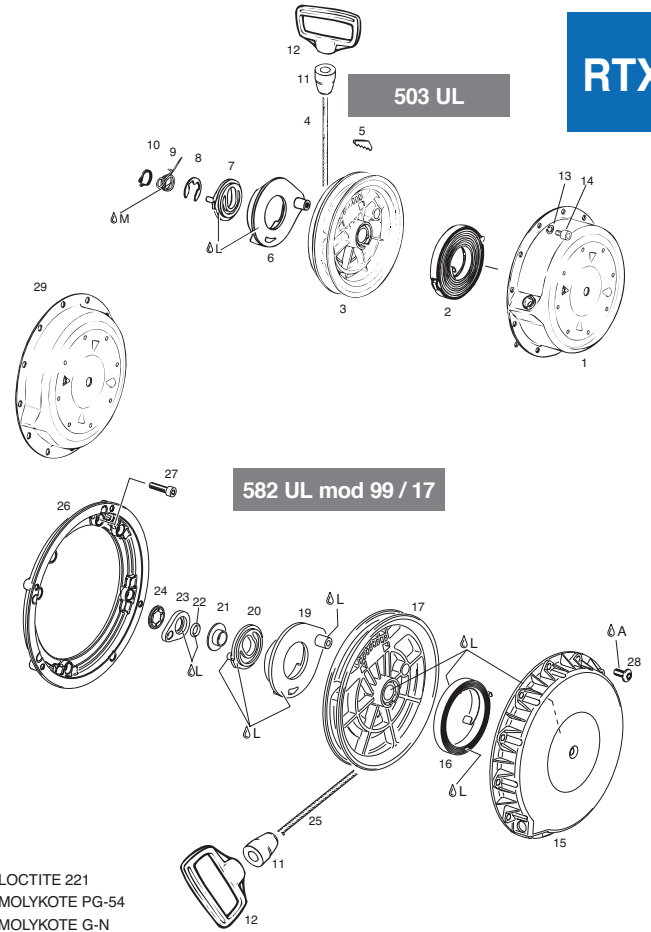
g modified rope fixation: knot instead of key clamp (from S/N 5.742.150)

NOTICE when using new rewind starter without knot use new rope sheave (17)



- Δ A: LOCTITE 221
- Δ B: LOCTITE 243
- Δ C: LOCTITE 648

**RTX**



- Δ A: LOCTITE 221
- Δ L: MOLYKOTE PG-54
- Δ M: MOLYKOTE G-N

## ROTAX 503, 582 UL 99/17 MAGNETO END STARTER PARTS

Item No.	Part No	Description	Qty. Req.		Price
			503	582	
2	852-378	STARTER GEAR ADAPTER		1b	\$135.98
3	834-053	STARTER GEAR 61 T.	1	1	\$299.19
5	250-311	WASHER 8,4 DIN 125	3	3	\$0.41
6	945-752	LOCK WASHER A8	3	3	\$0.21
8	940-616	HEX. SCREW M8X40		3	\$1.61
9	910-731	STARTER COVER	1	1	\$442.53
10	850-390	O-RING 60-4	1	1	\$9.83
11	995-430	ELECTRIC STARTER ASSEMBLY	1	1	\$810.84
12	841-950	STUD M8X43/23	2	2	\$11.26
13	966-031	MASS CABLE 80 MM ASSEMBLY	1	1	\$36.99
14	944-038	WASHER 8,4/14/1	1	1	\$1.40
15	942-030	LOCK NUT M8	2c	2c	\$2.40
16	850-585	O-RING 8X5	2	2	\$4.59
17	230-260	O-RING 6X3	10	10	\$4.26
18	850-580	O-RING 8X4	2	2	\$4.42
19	850-590	O-RING 16-4	2	2	\$4.99
20	827-910	WASHER 8,2/26,3/2	2	2	\$3.85
21	942-030	LOCK NUT M8	2c	2c	\$2.40
23	945-751	LOCK WASHER A6 DIN 128	4		\$0.21
24	241-816	ALLEN SCREW M6X40 DIN 912	4		\$1.40
25	445-331	LOCK WASHER VHZ 6	4		\$0.57
26	240-631	HEX. SCREW M6X40	4		\$1.23

Items not illustrated

- a from engine S/N 582 UL mod. 90: 4.015.239
- b from beginning of serial production
- c tighten to leave 1mm distance between starter cover and electric starter
- d at 582UL mod. 90 tunil engine S/N 4.015.238 (without hydro damper assembly)