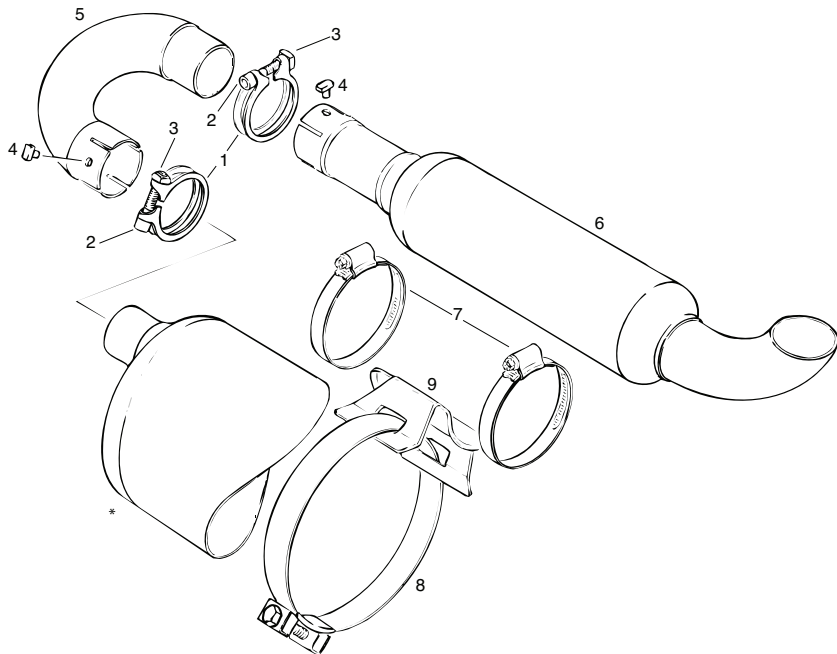


RTX



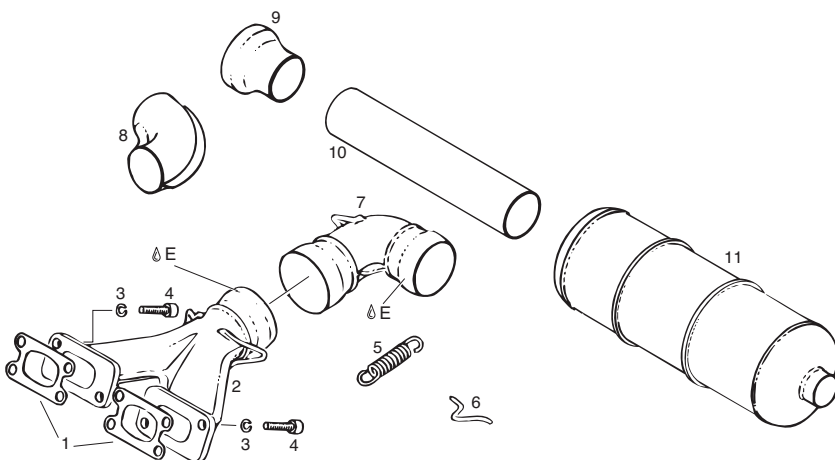
ROTAX 503, 582 UL 99/17 AFTER-MUFFLER ASSEMBLY, CLAMPED CONFIGURATION

Item No.	Part No	Description	Qty. Req.	Price
1-9	978-650	AFTER MUFFLER KIT (NEW)	1	\$157.14
1	953-251	CLAMP 42	2	\$11.91
2	241-811	ALLEN SCREW M6X35 DIN 912	2	\$0.57
3	942-991	SQUARE NUT M6	2	\$0.57
4	929-921	SECURITY BOLT	2	\$25.70
5	878-407	ELBOW ASSEMBLY	1	\$111.84
6	878-967	AFTER-MUFFLER ASSEMBLY	1	\$238.19
7	851-130	CLAMP 60-80	2	\$11.69
8	851-140	HOSE CLAMP 140	1	\$39.33
9	851-150	MUFFLER HOLDER	1	\$77.39

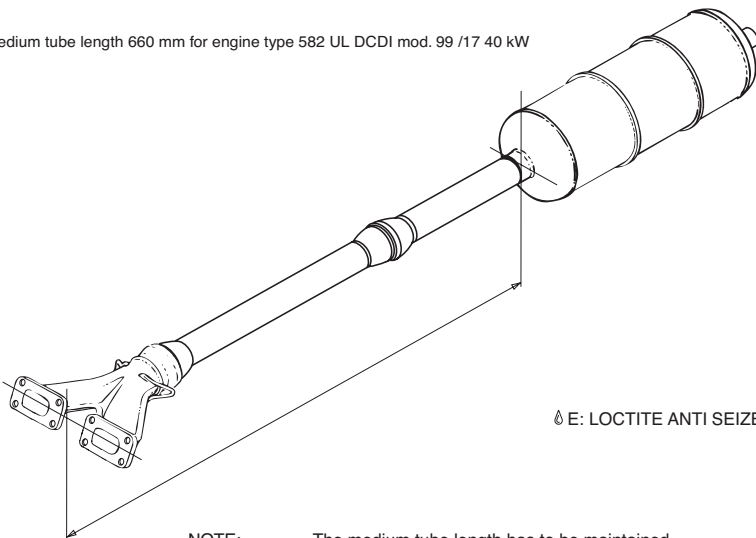
ROTAX 582 UL 99/17 EXHAUST SYSTEM

Item No.	Part No	Description	Qty. Req.	Price
1	850-633	GASKET	2c	\$12.66
2	973-121	EXHAUST MANIFOLD ASSEMBLY	1a	\$251.07
2	973-123	EXHAUST MANIFOLD ASSEMBLY	1b	\$255.71
3	945-752	LOCK WASHER A8	6	\$0.21
4	840-991	ALLEN SCREW M8X30	6	\$1.40
5	938-790	RETURN SPRING	8	\$7.85
6	853-355	HOOK	16	\$1.92
7	973-180	CONNECTING ELBOW ASSEMBLY	1a	\$161.85
7	973-182	CONNECTING ELBOW ASSEMBLY	1b	\$179.70
8	878-677	BENT TUBE ASSEMBLY	2	\$55.39
9	878-666	BALL JOINT	1	\$17.68
10	973-282	INLET TUBE 500 MM	1	\$48.16

a without hooks
b with hook
c see also-SI-2ST-002



medium tube length 660 mm for engine type 582 UL DCDI mod. 99 /17 40 kW



⊖ E: LOCTITE ANTI SEIZE

NOTE: The medium tube length has to be maintained.
When using bent tubes, the medium length has to be respected!