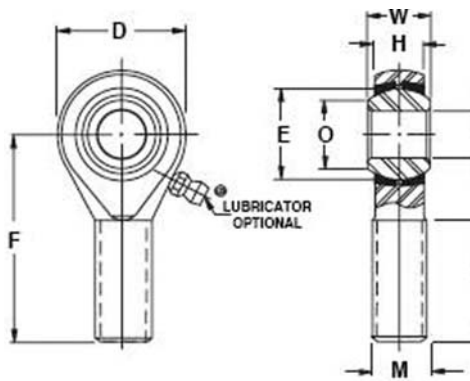


BEARINGS



ROD END MALE THREADED HMX EXTRA CAPACITY SERIES

SPECIFICATIONS:

Outer Member: SAE 4130 steel heat treated to 175,000 PSI Cadmium Plated.

Ball: SAE 52100 Steel, Heat Treated, Chrome Plated.

Inserts: Aluminum Bronze

"L" in rod end number designates left hand thread.

Add letter 'M' to dash number for magnafluxed rod ends.

This series is equipped with lubricators as shown.

Add suffix "FG" to indicate flush type lubricator is required.

Example: HMX-4FG. Additional costs will apply.

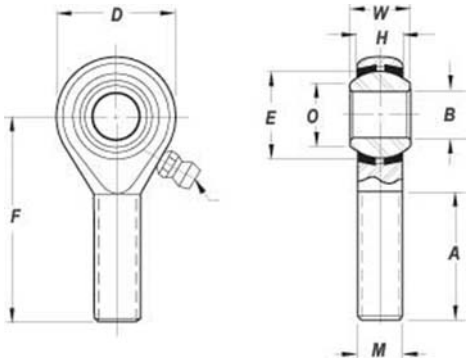
Note: See Aurora Bearings page for equivalents to Heim HM & HF Series.



AP

Rod End Number	Equiv Spherco Number	DIMENSIONS											Maximum Static Load in Lbs. approx		Approx. Weight in Lbs.	Price Ea.
		Bore	Ball Width	Housing Width	Ball Flat Dia.	Head Dia.	Length to Cntr of Ball	Over-All Length	Other Dimensions				Radial	Axial		
		B	W	H	O	D	F	G	A	N	Ball Dia.	Class 3A				
HMX-4G	ARE 4-20	.2500	.375	.281	.355	.750	1.560	1.937	1.000	#33	33/64	5/16"-24	3,260	1,710	.06	---
HMXL-4G	AREL-20									.113		UNF				---
HMX-5G	ARE- 5-20	.3125	.437	.344	.447	.875	1.375	2.312	1.250	#21	5/8	3/8"-24	4,920	2,376	.09	\$51.60
												UNF				
HMX-6G	ARE 6-20	.3750	.500	.406	.517	1.000	1.375	2.438	1.250	#21	23/32	7/16"-20	7,240	2,946	.13	\$21.50
HMX-7G	ARE 7-20	.4375	.562	.437	.586	1.125	1.812	2.688	1.375	#21	13/16	1/2"-20	7,620	3,367	.18	\$218.95
HMXL-7G	AREL 7-20									.159		UNF				\$891.00
HMX-8G	ARE 8-20	.5000	.625	.500	.698	1.312	1.562	3.094	1.500	#3	15/16	5/8"-18	11,920	4,074	.30	---
HMXL-8G	AREL 8-20									.213		UNF				---

New Surplus HMX-8G P/N 06-01661 \$67.85



HME SERIES

SPECIFICATIONS:

Outer Member: Carbon steel-protective coated for corrosion resistance.

Ball: Carbon steel-heat treated, chrome plated.

Inserts: Aluminum.

Liner: Self lubricating UNIFLON.

"L" in rod end number designates left hand thread.

"R" in part number indicates woven uniflon. Example: HMR-3.

*Uniflon® — The Heim Universal Corporation's trademark for teflon® lined rod ends and spherical bearings.



Part No.	Thread Type	SEE DIAGRAM ABOVE									Price
		B	W	H	D	F	A	Thread Size	E	O	
HME-3M	Right Hand	.1900	.312	.250	.625	1.250	.750	.1900-32	.437	.306	-
HMLE-3M	Left Hand	.1900	.312	.250	.625	1.25	.750	.1900-32	.437	.306	-
HME-4M	Right Hand	.2500	.375	.281	.750	1.562	1.000	.2500-28	.515	.353	\$49.95
HMLE-4M	Left Hand	.2500	.375	.281	.750	1.562	1.000	.2500-28	.515	.353	-
HME-5M	Right Hand	.3125	.437	.344	.875	1.875	1.250	.3125-24	.625	.447	-
HMLE-5M	Left Hand	.3125	.437	.344	.875	1.875	1.250	.3125-24	.625	.447	\$136.95
HME-6M	Right Hand	.3750	.500	.406	1.000	1.938	1.250	.3750-24	.718	.516	-
HMLE-6M	Left Hand	.3750	.500	.406	1.000	1.938	1.250	.3750-24	.718	.516	-
HME-7M	Right Hand	.4375	.562	.437	1.125	2.125	1.375	.4375-20	.812	.586	-
HMLE-7M	Left Hand	.4375	.562	.437	1.125	2.125	1.375	.4375-20	.812	.586	-
HME-8M	Right Hand	.5000	.625	.500	1.312	2.438	1.500	.5000-20	.937	.698	-
HMLE-8M	Left Hand	.5000	.625	.500	1.312	2.438	1.500	.5000-20	.937	.698	-