

UMA 1-1/4" ENGINE INSTRUMENTS



Monitor your engine's vitals with a full line of space saving 1-1/4" engine instruments with 240 degree analog sweep. These instruments allow you the opportunity to utilize panel space without compromising readability. No longer do you have to decipher cluster gauges or push buttons for readings or try to concentrate on flashing numbers. These premiere UMA instrument are electronic and can be powered from 14 or 28 volts. Signals are acquired from remote mounted sensors, processed and displayed on analog dials with easy to read markings. Each gauge uses rugged aircore meter movement for vibration resistance and repeatability. Each gauge can be placed in a 1-1/4" diameter hole and mounted behind the panel with (4) 6-32 screws. They can be cluster mounted as close as 1 1/2" centers. **Senders are sold separately.**

UMA Technical Support: 800-842-5578.

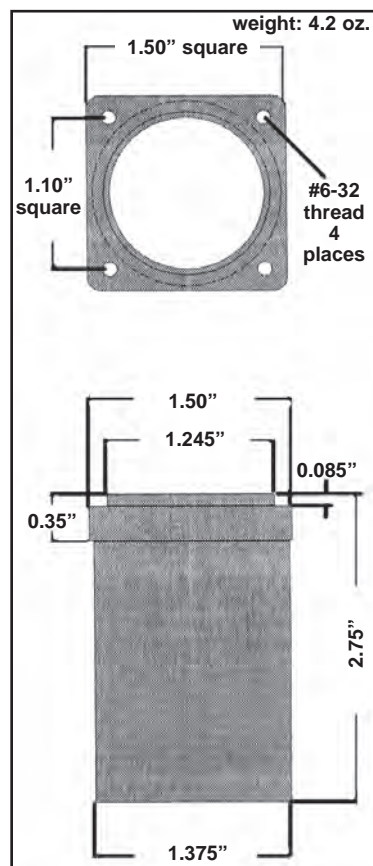
STREAMLINE • STACKABLE • EASY TO READ • RUGGED DESIGN

| CYLINDER HEAD TEMP. (CHT) | | |
|--|----------|----------|
| Description | Part No. | Price |
| CHT Gauge 100-300°F | 10-00035 | \$198.95 |
| CHT Gauge 100-600°F | 10-00036 | \$198.75 |
| CHT Thermocouple 14mm Plug (Rotax) | 10-00962 | \$82.75 |
| CHT Thermocouple 18mm Plug (Lyc.) | 10-00963 | \$82.75 |
| CHT Thermocouple 3/8-24 Bayonet (Lyc.) | 10-00795 | \$109.75 |
| OIL PRESSURE | | |
| Description | Part No. | Price |
| Oil Pressure Gauge 0-80 PSI | 10-00037 | \$198.95 |
| Oil Pressure Gauge 0-130 PSI | 10-00038 | \$199.75 |
| Oil Pressure Gauge 0-130 PSI Rotax 912/914 | 10-05509 | \$198.95 |
| FUEL QUANTITY | | |
| Description | Part No. | Price |
| Fuel Qty. Ind. (Float 240-30) | 10-00039 | \$198.95 |
| Fuel Qty. Ind. (Cap. 5v) | 10-00040 | \$200.75 |
| Sender (Float type 240-30 ohms) | 10-00056 | \$39.95 |
| Sender (Capacitance 0-5V) | 10-00797 | \$139.75 |
| AMMETER | | |
| Description | Part No. | Price |
| Ammeter ±30 Shunt incl. | 10-00041 | \$243.95 |
| Ammeter ±100 Shunt incl. | 10-00043 | \$243.95 |
| Ammeter +60 | 10-00581 | \$243.95 |
| Ammeter +80 | 10-00582 | \$243.95 |
| WATER PRESSURE | | |
| Description | Part No. | Price |
| Water Press. Gauge 0-15 PSI | 10-00044 | \$198.95 |
| Water Press. Gauge 0-30 PSI | 10-00045 | \$198.95 |
| WATER TEMPERATURE | | |
| Description | Part No. | Price |
| Water Temp. Gauge 100-300°F | 10-02457 | \$198.95 |
| CARB. TEMPERATURE | | |
| Description | Part No. | Price |
| Carb. Temp -60-120°F | 10-05769 | \$198.95 |
| OUTSIDE AIR TEMPERATURE | | |
| Description | Part No. | Price |
| OAT (-25) -40°C | 10-02385 | \$266.95 |
| OAT (-10) -110°F | 10-02386 | \$266.95 |
| TACHOMETERS | | |
| Description | Part No. | Price |
| 0-7000 RPM for Rotax 447/503/582 | 10-05507 | \$230.95 |
| 0-7000 RPM for Rotax 912/914 | 10-05506 | \$230.95 |

| EXHAUST GAS TEMPERATURE (EGT) | | |
|--|----------|----------|
| Description | Part No. | Price |
| EGT Gauge 700-1700°F | 10-00046 | \$198.95 |
| EGT Gauge 100-900°C | 10-05696 | \$198.95 |
| EGT Gauge 1000-2000°F | 10-05697 | \$198.95 |
| EGT Thermocouple Clamp style (Lyc.) | 10-04791 | \$96.75 |
| EGT Thermocouple 8mm, Bayonet (Rotax) | 10-00967 | \$96.75 |
| FUEL AIRBOX PRESSURE | | |
| Fuel Airbox Pressure Range: 0-7 Diff. | 10-02401 | \$247.95 |
| FUEL FLOW | | |
| Description | Part No. | Price |
| Fuel Flow 0-8 6PH | 10-02403 | \$207.95 |
| Fuel Flow 0-20 6PH | 10-02404 | \$207.95 |
| Fuel Flow 0-30 6PH | 10-02405 | \$207.95 |
| OIL TEMPERATURE | | |
| Description | Part No. | Price |
| Oil Temp. Gauge 100-300°F | 10-00047 | \$198.95 |
| 1-1/4 inch VDO - TSO'd Electronic Temperature Gauges 100-300 deg F | 10-02779 | \$198.95 |
| Oil Temp. Probe 3/8-24 (Automotive) | 10-00969 | \$82.75 |
| Oil Temp. Probe 5/8-18 (Lyc./Cont.) | 10-00418 | \$84.75 |
| Oil Temp. Probe 10mm (Rotax 912/914) | 10-00973 | \$82.75 |
| FUEL PRESSURE | | |
| Description | Part No. | Price |
| Fuel Pressure Gauge 15 PSI | 10-00048 | \$198.95 |
| Fuel Pressure Gauge 30 PSI | 10-00049 | \$198.95 |
| Fuel Pressure Gauge 0-80 psi | 10-00050 | \$198.95 |
| VOLTMETER | | |
| Description | Part No. | Price |
| Voltmeter 18-36V | 10-00052 | \$198.95 |
| Voltmeter 9-17V | 10-00578 | \$198.95 |
| FLAP INDICATOR | | |
| Description | Part No. | Price |
| Flap Position Indicator 0-30° | 10-00053 | \$217.95 |
| Flap Position Indicator 0-40° | 10-00054 | \$217.95 |
| Flap Position Indicator up-full | 10-00055 | \$217.95 |
| Flap Indicator Transducer | AN5785 | \$255.95 |
| MANIFOLD PRESSURE | | |
| Description | Part No. | Price |
| 5-35" | 10-02438 | \$198.95 |
| 5-50" | 10-02439 | \$198.95 |

For Experimental aircraft only. See next page for TSO'd Gauges. Mount individually or as a cluster.

MOUNTING INFORMATION



IN