

# SADDLES - FITTINGS - TANGS - BRACKETS

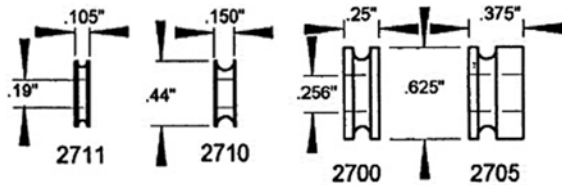
## ALUMINUM SADDLE



Specs: Fits 1.63 inch I Base OD 1.0 inch I Hole 0.266 inch I Height 0.125 inch Super-tough saddles. Made of aluminum.

P/N-Type 4315/1 ..... P/N 04-00927 ..... **\$4.20**

## CABLE FITTINGS



1/16" Cable, Steel, AN111-3 ..... P/N 05-01939 ..... **\$2.50**  
 3/32" Cable, Aluminum ..... P/N CF2700 ..... **\$2.45**  
 3/32" Cable, Aluminum ..... P/N CF2705 ..... **\$2.25**  
 1/16" Cable, Stainless, AN111C-3 ..... P/N CF2710S ..... **\$2.20**

## ELBOW FITTINGS



These are tube fittings used to assemble parts to an ultralight frame. No specific ultralight or application.

1" x .083" ..... P/N 15-05250 ..... **\$8.50**  
 1" x .058" ..... P/N 15-05249 ..... **\$8.50**

## NYLON WASHERS



05-01969

05-01970

Model	Part No.	O.D.	I.D.	Thickness	Price Ea.
NW2059	05-01970	.875	.256	.031	<b>\$0.57</b>
NW2055	05-01969	.256	.500	.060	<b>\$0.58</b>

## CONTROL CABLE FAIRINGS

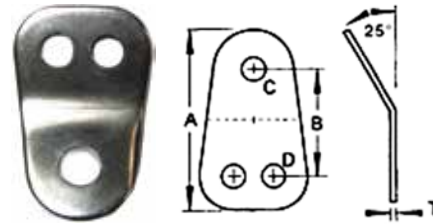


Injection molded ABS plastic fairings used to cover hole in airframe where control cables emerge such as the rudder cables at the rear of the fuselage. May be installed on any airframe surface but is most normally used on fabric covered aircraft

where they are bonded on with fabric cement and covered with a fabric patch ..... P/N 05-05750... **\$5.90 pair**

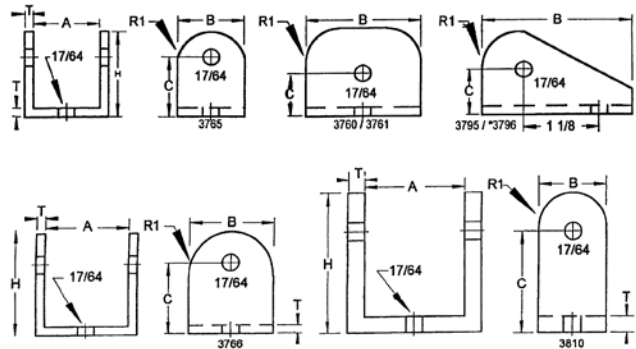
## TANGS

Made of 304 stainless steel. All measurements are in inches.



No.	Maxair	Description	T	A	B	C	D	Part No.	Price
3	T11-DFT	3-Hole Flat	14G	1.91	1.09	.26	.26	05-02077	<b>\$3.95</b>
	T8-DFT	3-Hole Flat	12G	1.91	1.09	.32	.26	05-02078	<b>\$3.75</b>
	T9-DAT	3-Hole Bent	14G	1.86	1.04	.26	.26	05-02079	<b>\$2.60</b>

## ALUMINUM BRACKETS



Model	Part No.	A	B	C	H	T	R1	ALLOY	Each
B3772	05-01930	.500	.750	.500	.750	.125	---	6061-T6	<b>\$4.20</b>
B3765	05-01928	1.000	1.000	.875	1.250	.125	.500	6063-T5	--
B3760	05-01926	1.000	1.750	.625	1.250	.125	.500	6063-T5	--
B3761	05-01927	1.000	1.750	.906	1.250	.125	.750	6063-T5	<b>\$7.50</b>
B3795	---	1.000	2.250	.670	1.250	.125	.500	6063-T5	--
B3766	05-01929	1.250	1.250	1.062	1.500	.125	.750	6063-T5	<b>\$6.50</b>
B3796	---	1.250	2.375	.875	1.500	.125	.500	6063-T5	--
B3810	05-01931	1.500	1.000	1.500	2.000	.250	.500	6061-T6	--

## PLASTIC ID TUBE CAPS



Series PD Plugs, designed for use on flared JIC fittings, air knurled for ease of application. They will seal low pressure requirements with light finger tightening. PD plugs can be used to seal 37° flare fittings without gaskets. **Model:** TC4112 **Maxair:** EC-10

**Fits Tube Size:** 2 x .049 ..... P/N 05-02091 ..... **\$2.75**

## PLUG BUTTONS

Nickel Plated Plug Buttons.



Manufacture Part No.	Hole Size	Head Diameter	Panel Thickness	Material	Finish	Part Number	Price
3750	1/4"	13/32"	0.035-0.062"	Steel	Nickel	04-04112	<b>\$0.81</b>
3751	3/8"	1/2"	0.037-0.078"	Steel	Nickel	04-04113	<b>\$0.95</b>
3752	1/2"	21/32"	0.037-0.062"	Steel	Nickel	04-04114	<b>\$0.97</b>
3753	5/8"	13/16"	0.062-0.078"	Stainless Steel	--	04-04115	<b>\$1.37</b>
3754	3/4"	15/16"	0.037-0.093"	Steel	Nickel	04-04116	<b>\$1.32</b>
3755	7/8"	1-1/16"	0.031-0.093"	Stainless Steel	--	04-04117	<b>\$1.38</b>
3756	1"	1-1/8"	0.062-0.093"	Stainless Steel	--	04-04118	<b>\$1.56</b>
10231	1-1/4"	1-7/16"	0.062-0.093"	Steel	Nickel	04-04119	<b>\$4.35</b>
10232	1-1/2"	1-21/32"	0.038-0.141"	Steel	Nickel	04-04120	<b>\$5.35</b>

AP