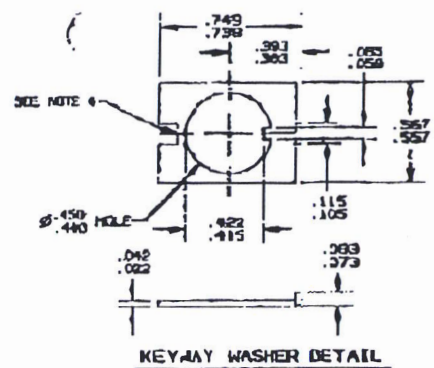


REVISIONS			
ZONE/LTR	DESCRIPTION	PRJ. / DATE	DATE APPROVED
J	MOVED COILING TO THE KEYWAY SIDE	CR48478	8-28-90 A.J.L.



FOR REFERENCE ONLY
CHECK LISTS: REVISION
BEFORE USE

MAR 8 8001

THIS DRAWING IS THE PROPERTY OF TEXAS INSTRUMENTS INC. AND IS TO BE USED ONLY FOR THE PURPOSES SPECIFIED HEREIN. IT IS NOT TO BE REPRODUCED OR TRANSMITTED IN ANY FORM OR BY ANY MEANS, ELECTRONIC OR MECHANICAL, INCLUDING PHOTOCOPYING, RECORDING, OR BY ANY INFORMATION STORAGE AND RETRIEVAL SYSTEM, WITHOUT THE EXPRESS WRITTEN PERMISSION OF TEXAS INSTRUMENTS INC. THIS DRAWING IS THE PROPERTY OF TEXAS INSTRUMENTS INC. AND IS TO BE USED ONLY FOR THE PURPOSES SPECIFIED HEREIN. IT IS NOT TO BE REPRODUCED OR TRANSMITTED IN ANY FORM OR BY ANY MEANS, ELECTRONIC OR MECHANICAL, INCLUDING PHOTOCOPYING, RECORDING, OR BY ANY INFORMATION STORAGE AND RETRIEVAL SYSTEM, WITHOUT THE EXPRESS WRITTEN PERMISSION OF TEXAS INSTRUMENTS INC.

PERFORMANCE CHARACTERISTICS (DETAIL PERFORMANCE PER MIL-C-26068)

OVERLOAD CYCLING	100 CYCLES AT 200% RATING
VIBRATION	10 G'S 20-500 HC
MECHANICAL SHOCK	25 G'S AT 1.5 MILLISECOND DURATION
ACCELERATION	10 G'S MINIMUM
SAND AND DUST	15 HOURS
CORROSION	5% L SPRAY 50 HOURS
HUMIDITY	10 DAYS
EXPLOSION PROOF	WHILE INTERRUPTING SURTPE CURRENTS

ENDURANCE:

120 VAC	400 HZ	INDUCTIVE	2500 CYCLES
		RESISTIVE	5000 CYCLES
30 VDC		INDUCTIVE	2500 CYCLES
		RESISTIVE	5000 CYCLES
MECHANICAL			5000 CYCLES

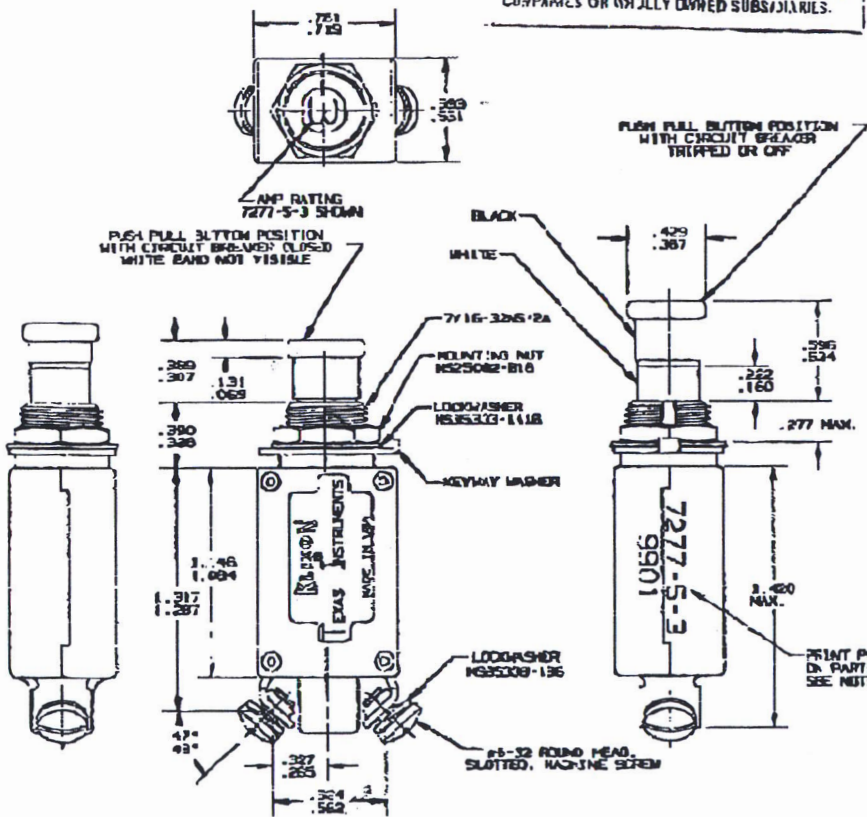
CALIBRATION: 1/2 AMP TRIP TO 10 AMP

AMBIENT TEMP.	MIN. ULT. TRIP	MAX. ULT. TRIP	200% 500% 1000%
+25°C	110% R/T. NG	150% RATING	2-35 SEC. 15-17 SEC. .028-.35 SEC.

PART NO.	AMP RATING	MAXIMUM VOLTAGE DROP	CURRENT INTERRUPTING CAPACITY	
			120 VAC, 400 HZ	28 VDC
7277-5-1/2	1/2	2.00	UNLIMITED	UNLIMITED
7277-5-3/4	3/4	1.45	UNLIMITED	UNLIMITED
7277-5-1	1	1.10	UNLIMITED	UNLIMITED
7277-5-1 1/2	1 1/2	0.75	UNLIMITED	UNLIMITED
7277-5-2	2	0.70	300 AMPS	UNLIMITED
7277-5-2 1/2	2 1/2	0.50	300 AMPS	UNLIMITED
7277-5-3	3	0.33	300 AMPS	UNLIMITED
7277-5-4	4	0.30	300 AMPS	UNLIMITED
7277-5-5	5	0.25	300 AMPS	UNLIMITED
7277-5-7 1/2	7 1/2	0.20	500 AMPS	2000 AMPS
7277-5-10	10	0.15	500 AMPS	2000 AMPS
7277-5-15	15	0.15	500 AMPS	2000 AMPS
7277-5-20	20	0.15	500 AMPS	2000 AMPS

NOTES:

1. ALL MOUNTING HARDWARE HAS A DRILL BLACK FINISH.
2. CIRCUIT BREAKERS ARE SUITABLE FOR MOUNTING IN A 1/8" THICK PANEL OR LESS.
3. DIPPY SURFACES ARE NON-DIMENSIONED. ENVELOPE DRAWING DIMENSIONS DO NOT APPLY TO THESE PROJECTED DIPPY SURFACES.
4. NON FUNCTIONAL NOTCH ON THE BACK OF THE KEYWAY WASHER IS OPTIONAL.
5. DATE CODE SPEC 10588-216



IT'S BURNING SUPERSEDES 7277-5 REV. "4" DATED 5-20-89

UNLESS OTHERWISE SPECIFIED DIMENSIONS ARE IN INCHES	DESIGNER	DATE	AS	QC	P18
TOLERANCE ON FRACTIONS DECIMALS ANGLES	CHAS FLEURYANT	10-30-91			
	K.B. GASSER	3-9-92			
	D.R. PETRIE	12-20-94			
MATERIAL					
SIGNATURES ON FILE. REFER TO ELECTRONIC CHANGE NOTICE.			SIZE	CODE IDENT NO.	
			C	82647	7277-5 SH1

TEXAS INSTRUMENTS
ATLANTA, GEORGIA OFFICE

RAYSON
CIRCUIT BREAKER SYSTEM

TITLE
7277-5 TYPE PUSH-PULL TRIP FREE CIRCUIT BREAKER WITH AUX. CIRCUIT ENVELOPE DRAWING