



BRACKETT AERO FILTERS, INC.



INSTRUCTIONS

ASSEMBLY PART NO.'s BA-2210L AND 2210R

APPROVED ON AIRCRAFT MODELS: SEE FAA APPROVED APPLICABILITY LIST

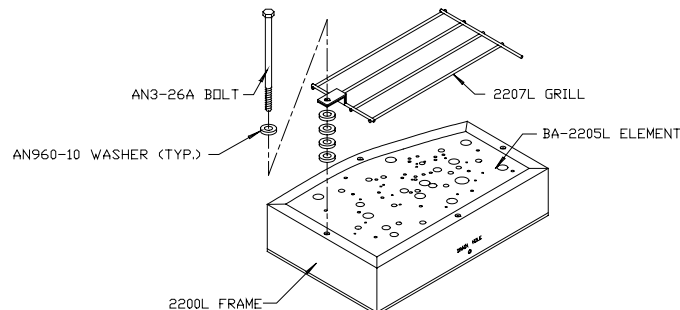
REPLACES: Cessna Filter P.N.'s 1250704-3 USE BA-2210L
1250704-4 USE BA-2210R

FAA APPROVAL DATA: STC SA71GL List No. 1
FAA-PMA Supplement No. 1

Your new polyurethane air filter element has been designed to provide maximum dust collecting efficiency, non-restrictive air flow, and economical element replacement, while maintaining a lightweight filter. The element has been treated with a distinctive treatment called a wetted agent and is approximately 98% efficient. The wetted agent is an accompaniment in the efficient capturing of dust. In addition, the element has received a fire retardant treatment. For the above reasons, replace the element each 200 hours of use/12 months or when 50% covered with foreign material. DO NOT WASH AND REUSE.

INSTALLATION INSTRUCTIONS

- Step 1. Remove original filter and discard, but retain the original front doubler plate.
- Step 2. Install Brackett Filter, frame only, in the same manner as the original. Bolt only the top, bottom and short side bolts in place. NOTE: On the right side filter for the Cessna 210, it may be necessary to trim some of the excess baffling off in order to align the filter assembly.
- Step 3. Install element with the "Engine Side" dense foam downstream against screen. The BA-2210L left hand assembly requires a BA-2205L element and reverse for the right hand side.
- Step 4. Install grill, under lip of frame outer end (on top of the element) and bolt in place with furnished hardware using the washers to space the grill, attach tab over the original doubler lip.
- Step 5. Future element replacements will only require the removal of this one bolt to remove grill and replace element.
- Step 6. NOTE: After initial installation of filter assembly, fill out FAA Form 337 for return to service. On future replacement of parts, this form will not be required.



SERVICING: Under normal conditions, replace filter element after 200 hours use or 1 year intervals. Under severely dusty conditions, check daily and replace when element is 50% covered with foreign material. For Continued Airworthiness Instructions, see Form I-194.

Instruction Sheet
Part No. 2203
Date Rev: 02-21-05

Mfg. by:
BRACKETT AERO FILTERS, INC.
Kingman, AZ

United States Of America
Department of Transportation - Federal Aviation Administration
Supplemental Type Certificate

Number SA71GL

This Certificate issued to BRACKETT AERO FILTERS, INC.
7052 Government Way
Kingman, Arizona 86401

*certifies that the change in the type design for the following product with the limitations and conditions therefor as specified hereon meets the airworthiness requirements of Part * of the * Regulations.*

Original Product Type Certificate Number: * *See attached Approved Model List (AML)

Make: *(AML) No. SA71GL for list of approved aircraft

Model: *models and applicable airworthiness regulations.

Description of Type Design Change: Installation of air filters in accordance with AML No. SA71GL dated April 17, 1995, or later FAA approved revision.

Limitations and Conditions: Approval of this change in type design applies to the above aircraft model(s) only. This approval should not be extended to aircraft of this model on which other previously approved modifications are incorporated unless it is determined that the interrelationship between this change and any of those other previously approved modifications will introduce no adverse effect upon the airworthiness of that aircraft. A copy of this Certificate and FAA Approved Model List (AML) No. SA71GL dated April 17, 1995, or later FAA approved revision must be maintained as part of the permanent records for the modified aircraft.

This certificate and the supporting data which is the basis for approval shall remain in effect until surrendered, suspended, revoked or a termination date is otherwise established by the Administrator of the Federal Aviation Administration.

Date of application: January 9, 1975

Date reissued: March 3, 1983, June 20, 2000

Date of issuance: February 21, 1975

Date amended: April 17, 1995



By direction of the Administrator

for Jim Liza Phalabanan
(Signature)

Manager, Tech. and Admin. Support Staff
Los Angeles Aircraft Certification Office

(Title)

Any alteration of this certificate is punishable by a fine of not exceeding \$1,000, or imprisonment not exceeding 3 years, or both.

**FAA APPROVED MODEL LIST (AML) NO. SA71GL
BRACKETT AERO FILTERS, INC.
FOR
INSTALLING AIR FILTERS**

Issue Date: April 17, 1995

ITEM	AIR FILTER MODEL NUMBER	TOP DRAWING		AIRCRAFT MAKE	AIRCRAFT MODEL	ORIGINAL TYPE CERTIFICATE NUMBER	CERT. BASIS	AML AMENDMENT DATE
		NUMBER	REVISION & DATE					
13	BA-2210L & R	BA-2210R & BA-2210L	A 10/1/85	Cessna	210D/E/F/G/H/J/K*/L*/M/N (thru SN 21064535 without air conditioner) *SN 21059200 thru 21061039 require both right and left filters	3A21	CAR 3	-----
				Cessna	207/A	A16CE	FAR 23	-----
				Cessna	P206/A/B/C/D/E, U206/A/B/C/D/E/F/G	A4CE	CAR 3	-----
*** END OF DATA ***								
14	BA-2310	BA-2310	C 9/4/85	Cessna	310F/G/H/I/J/K/L	3A10	CAR 3	-----
				*** END OF DATA ***				
15	BA-2410	BA-2410	C 12/17/94	Cessna	TU206A/B/C/D/E/F/G, TP206A/B/C/D/E	A4CE	CAR 3	-----
				Cessna	T207/A,	A16CE	FAR 23	-----
				Cessna	210N (SN 21064536 and UP), 210N (SN 21064136 and UP with air conditioner), 210R, T210F/G/H/J/K/L/M/N/R	3A21	CAR 3	-----
*** END OF DATA ***								
16	BA-2510	BA-2510-00	A 2/7/86	Cessna	R182, TR182, T182	3A13	CAR 3	-----
				Reims Aviation	(Cessna) FR182	A42EU	CAR 3	7/12/95
*** END OF DATA ***								

BRACKETT AIR FILTER DOCUMENT I-194

PLACE IN AIRCRAFT RECORDS

CONTINUED AIRWORTHINESS INSPECTION
 REQUIREMENTS AS PER FAR 23.1529
 AND GENERAL PROCEDURES OF PART 43

INSPECTION INTERVALS: Pre-flight inspections, engine backfire inspection, 100 hour inspections, annual inspections, filter element replacements.

INSPECTION PROCEDURES

- A. Pre-flight inspection: Per Pilots Operating Handbook, check filter assembly for security, damage or 50% contamination of element face. If found report to maintenance personnel prior to flight.
- B. Engine start-up backfire inspection: Prior to flight, check the entire intake system for security or damage. If a fire was present, the downstream face of the foam element will show erosion. If any irregularities are found see Chart I and also refer to the Aircraft Maintenance Manual for the intake system.
- C. At element replacement intervals: With the element removed, inspect the filter grill, filter frame, filter mountings and entire intake system for security, wear and any deformation. Note: On filter assemblies with gaskets, visually inspect inside and outside of frame for any signs of gasket looseness, movement or deterioration. If found refer to Chart I or the proper maintenance manual for your aircraft or component.

PART			INSTRUCTIONS
	REPLACE	REWORK	
FRAME	X		COMPLETE NEW ASSEMBLY
GASKET	X		ON FILTER FRAME, REMOVE OLD NEOPRENE GASKET AND ALL TRACES OF ADHESIVE DOWN TO A CLEAN ANODIZED FRAME SURFACE. USE ADHESIVE 3M#847 OR DOW CORNING RTV-732. COAT ENTIRE MATING SURFACE (GASKET TO FRAME). APPLY ADHESIVE FOLLOWING MANUFACTURER'S LABEL DIRECTIONS. WHEN FRAME AND GASKET ARE PLACED TOGETHER, CLAMP OR WEIGHT DOWN AT .75 LB./SQ. IN. OF CONTACT AREA. ALLOW TO CURE 24 HOURS PRIOR TO INSTALLATION. PRIOR TO REINSTALLATION OF FILTER, CHECK AIRBOX MATING SURFACE FOR IRREGULARITIES. IF FOUND, CORRECT PER MANUFACTURER'S REQUIREMENTS. UPON REINSTALLATION CHECK THAT THE GASKET MAKES 100% CONTACT. THE GASKET SHOULD BE COMPRESSED 50% FOR OPTIMUM SEAL.
GRILL	X		REPLACE WITH NEW GRILL
HARDWARE	X		REPLACE UNSERVICEABLE WITH NEW
SCREEN	X		COMPLETE NEW ASSEMBLY
SCREEN/GASKET	X		COMPLETE NEW ASSEMBLY (ASSEMBLIES USING SCREEN GASKETS PRE 1981; BA-4106, BA-5110 AND BA-8110.)
ELEMENT	X		REPLACE ELEMENT