

# WHELEN<sup>®</sup>

ENGINEERING COMPANY INC.

51 Winthrop Road  
Chester, Connecticut 06412-0684  
Phone: (860) 526-9504  
Fax: (860) 526-2009  
Internet: [www.whelen.com](http://www.whelen.com)  
Sales/Service e-mail: [aviation@whelen.com](mailto:aviation@whelen.com)

## Installation Guide: Model OR36R1N, OR36S1N P/N:01-0772010-50 01-0772010-70 LED Anti-Collision Light Assembly

TSO-C96a  
CLASS III;  
APPROVED



*The conditions and tests required for TSO approval of this article are minimum performance standards. Those installing this article either on or within a specific type or class of aircraft must determine that the aircraft installation conditions are within the TSO standards which include any accepted integrated non-TSO functions. TSO articles and any accepted integrated non-TSO function(s) must have separate approval for installation in an aircraft. The article may be installed only according to 14 CFR part 43 or the applicable airworthiness requirements.*

### OPERATING INSTRUCTIONS:

**Operational Voltage:** . . . . . 14 VDC  
**Average Input Current:** . . . . . 0.53 Amps  
**Pulse :** . . . . . 2.8 Amps  
**Flashrate:** . . . . . 45± 4 FPM  
**Weight:** . . . . . 0.3 lbs. (ref.)

**EQUIPMENT LIMITATIONS:** An approved Anti-Collision light assembly should be located so that their light will not impair the crews vision or detract from the conspicuity of the position lights. The baseplate must be mounted parallel to the vertical and horizontal centerlines of the aircraft to project the patterns properly.

Certain types of installations may require additional testing.

**CONTINUED AIRWORTHINESS:** Model OR36R1N is designed with 20 red LEDs. Model OR36S1N is designed with 10 red and 8 white LEDs. If any one LED fails the unit must be repaired or replaced.

**Note:** To reduce eye strain, use an optical filter such as dark glasses or a blue covering dome during LED inspection.

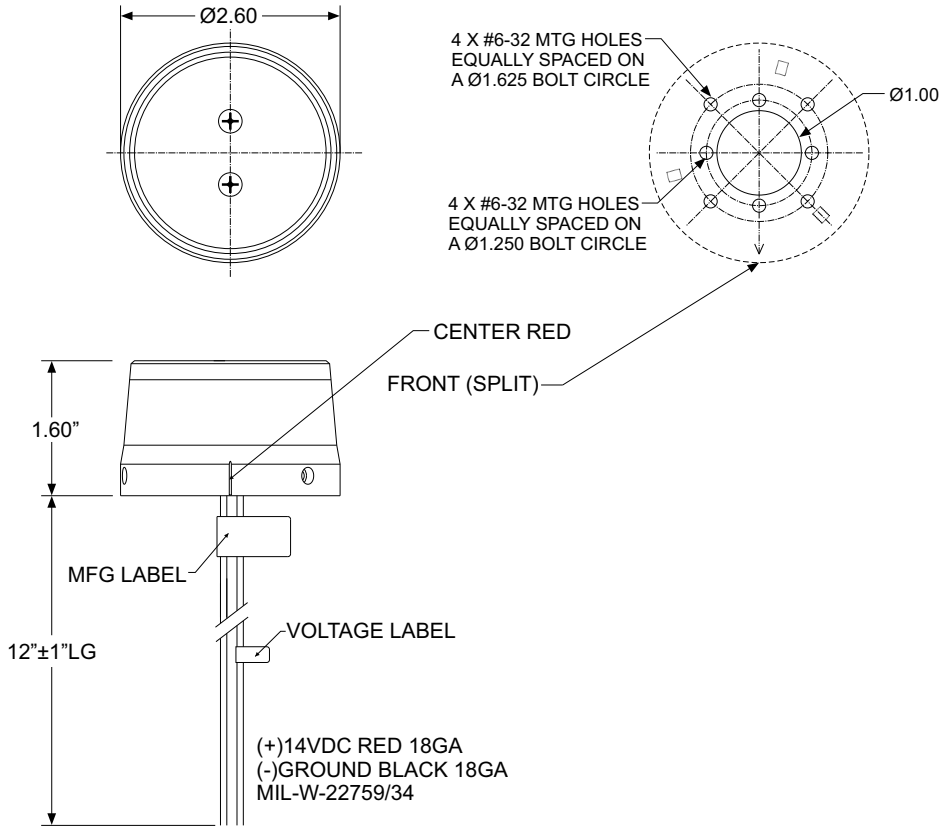
Inspect the lens. Replace if there is excessive surface deterioration, discoloration, crazing or cracking. For additional lens maintenance detail, see SAE ARP5637.

**INSTALLATION PROCEDURES:** The following information provides guidelines for the installation of the Whelen LED anti-collision light. Please refer to the OEM manual for your aircraft for specific removal and installation instructions.

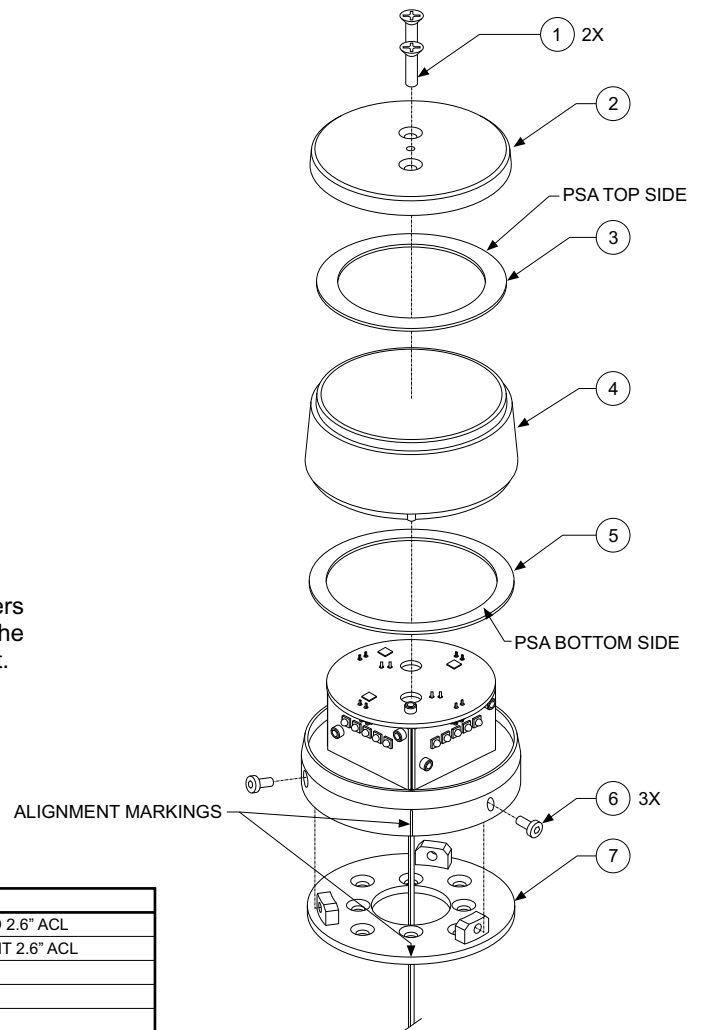
1. Remove all electrical power or disable the applicable circuit breakers.
2. Using the mounting detail information provided, prepare the aircraft for means to secure the LED light assembly.
3. Carefully remove the Allen screws and remove the light assembly from the mounting plate.
4. Using the appropriate hardware install the mounting adapter to the aircraft.
5. Connect the light inputs according to the chart shown. Connect the power lead to an appropriately sized breaker. Connections to be in accordance with FAA approved methods.
6. Install the light assembly onto the mounting adapter. Insure that all leads are clear of any obstructions and secured as required.
7. Enable applicable circuit breakers, place lighting switch in the ON position and verify proper operation of the Whelen lights.
8. Check all avionics systems for interference from this installation.
9. A flight check should be performed by a properly certified pilot.
10. If required, update aircraft records utilizing FAA Field Approval (Form 337) or equivalent.

Aviation

**SUGGESTED MOUNTING HOLE PATTERN(S)**



**CAUTION!** Do not touch the LEDs with either fingers or sharp objects. This could soil or damage the LEDs and effect the optical performance of the light.



QTY	QTY	ITEM	PART NUMBER	DESCRIPTION
	*		01-0772010-50	MODEL, OR36R1N 14V UPPER RED 2.6" ACL
*			01-0772010-70	MODEL, OR36S1N 14V UPPER SPLIT 2.6" ACL
2	2	1	MS24693C28	SCREW, 6-32 X 1/2 P100FH/CSNK
1	1	2	22-0472012-00	CAP, LED A/C BEACON
1	1	3	38-0231522-01	GASKET, LENS UPPER 72010 BEACON
1	1	4	68-1972008A30	LENS, CLEAR OPTIC LED A/C BEACON HARD COAT
1	1	5	38-0231523-00	GASKET, LENS LOWER 72010 BEACON
3	3	6	14-040A20-05K	SCREW, 4-40 X 5/16" ALLEN SOCKET HD CAP
1	1	7	07-772031-100	PLATE, ADAPTER SIDE MOUNTING 72010 BEACON